

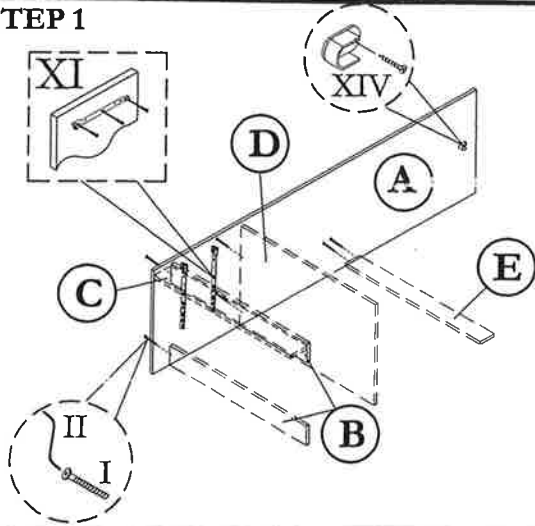
ASSEMBLY INSTRUCTION

MODEL : / WARDROBE

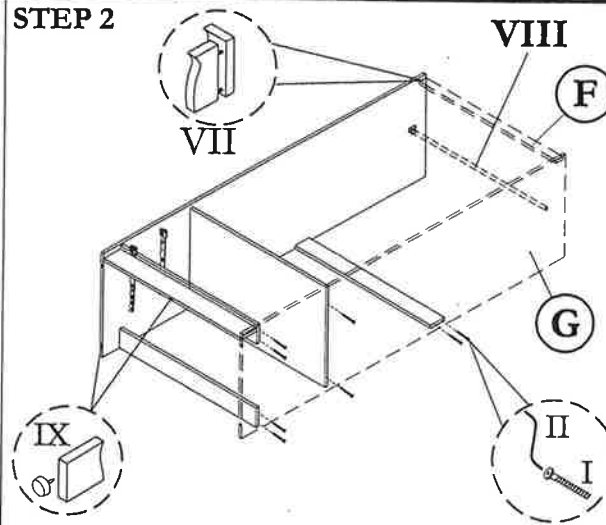
123-000133

Before you begin, please follow assembly instruction carefully. Then follow them step by step.

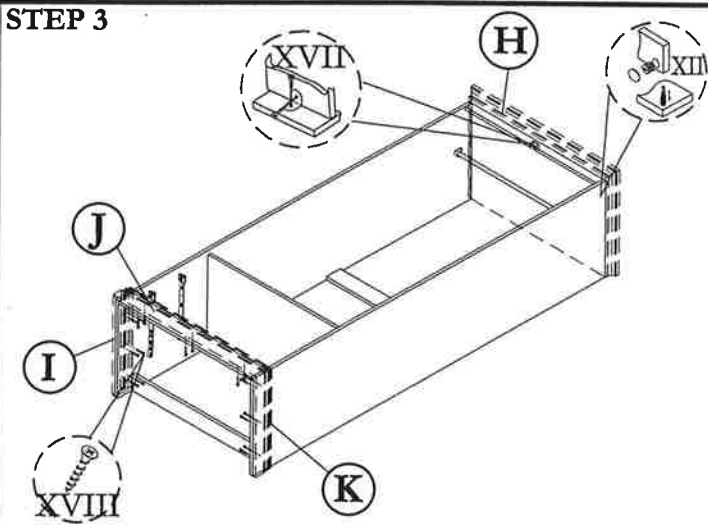
STEP 1



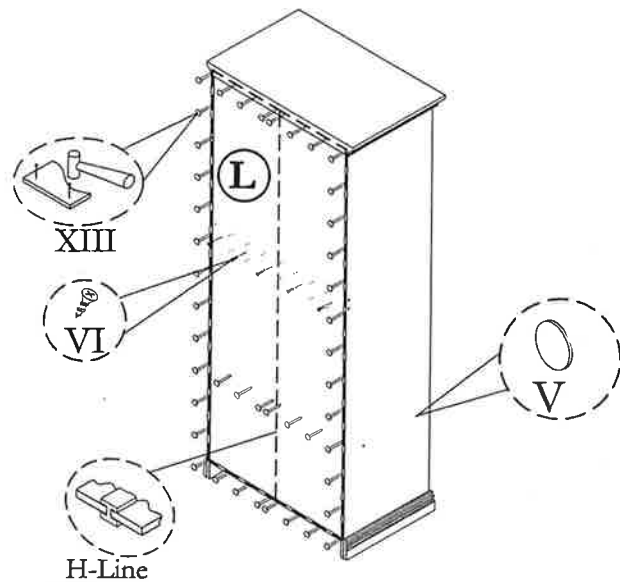
STEP 2



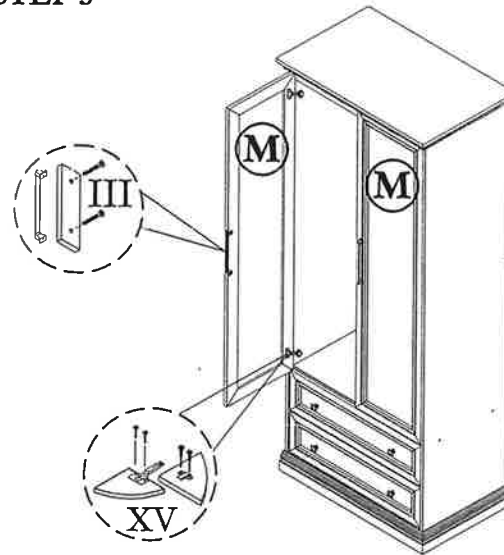
STEP 3



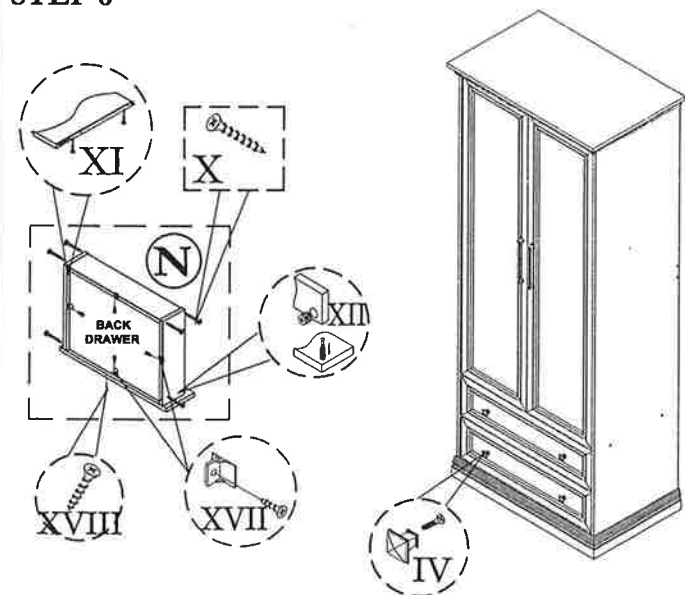
STEP 4



STEP 5



STEP 6



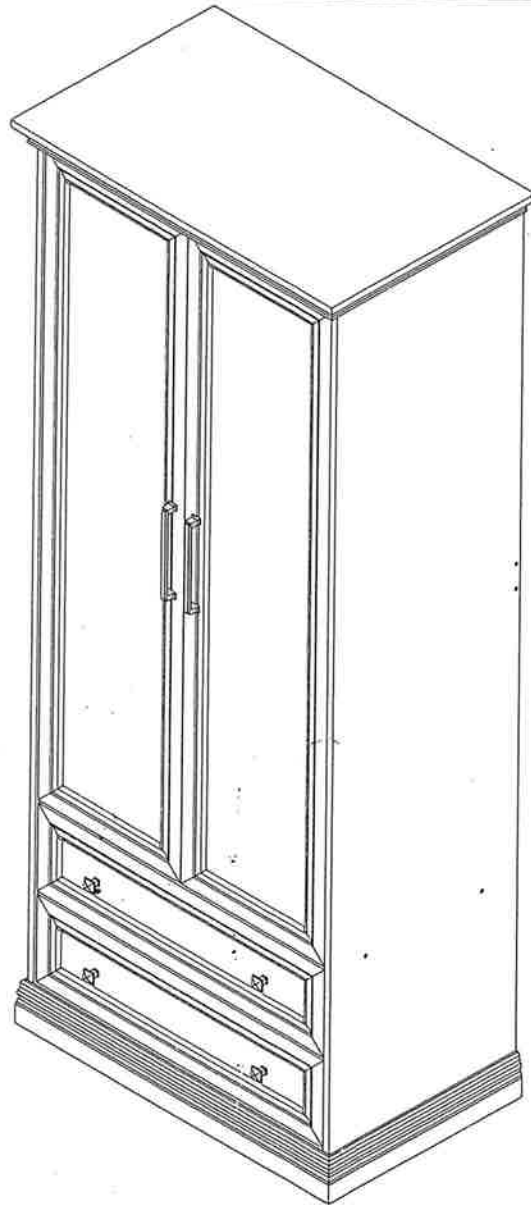
HARDWARE LIST			
NO	DESCRIPTION		QTY
I	JCBCW SCREW M6 x 45		16pcs
II	M4 ALLEN KEY		1pc
III	HANDLE & SCREW M4 x 22		2sets
IV	HANDLE & SCREW M4 x 12		4sets
V	STICKER		8pcs

VI	M3.5 x 12 CHIPBOARD SCREW		5pcs
VII	PLASTIC DOWEL		6pcs
VIII	PIPE SIZE : 28 $\frac{7.5}{8}$		1pc
IX	PVC NAIL WITH PIN		5pcs
X	M8 x 32 CHIPBOARD SCREW		12pcs
XI	14" DRAWER SLIDER & SCREW M3.5 x 12		2sets
XII	Q-FIT		12sets

XIII	NAIL		80pcs
XIV	PIPE SUPPORT & SCREW M3.5 x 16		2sets
XV	HINGE (C) & SCREW M3.5 x 16		4sets
XVI	DRAWER SUPPORT & SCREW M3.5 x 12		8sets
XVII	L BRACKET & SCREW M3.5 x 12		1sets
XVIII	M4 x 25 CHIPBOARD SCREW		20pcs

CAUTION:

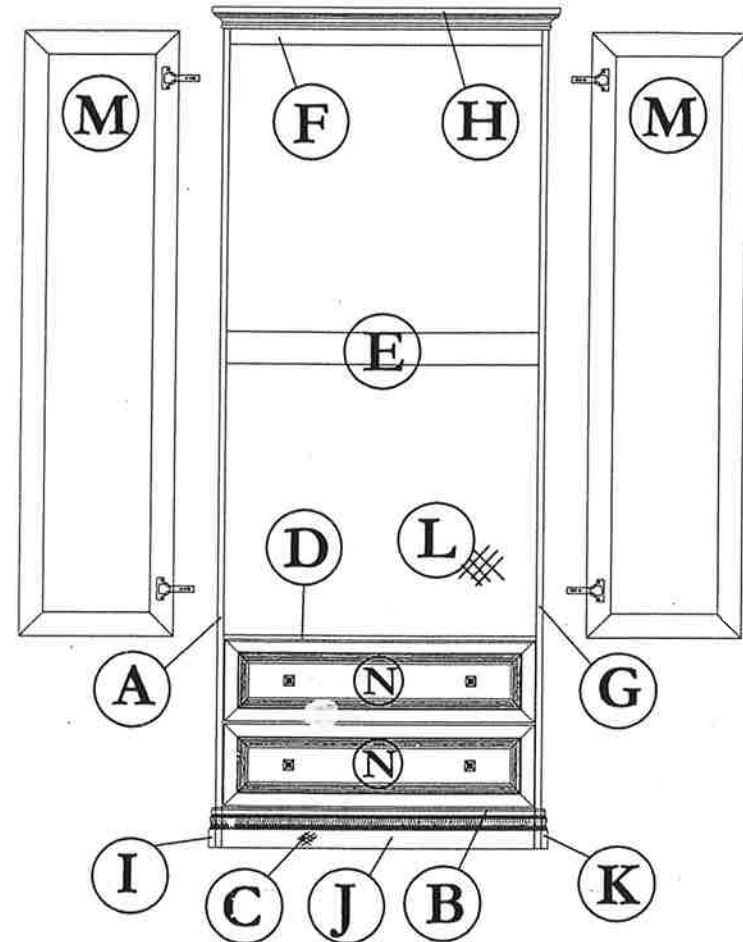
To clean use soft, dry cloth. Do not use detergent or chemicals
Avoid contact with water and direct sunlight.
To be assembled on a soft, dry, clean and smooth surface.



COMPLETE SET

ORDERING REPAIR PARTS

In order to obtain smooth and rapid service when ordering repair parts, please give full attention to the following of PART NUMBER.



NO	DESCRIPTION	QTY
A	LEFT SIDE	01
B	LOWER SHELF	02
C	LEG	01
D	CENTRE SHELF	01
E	BACK SUPPORT	01
F	TOP SUPPORT	01
G	RIGHT SIDE	01
H	TOP	01

NO	DESCRIPTION	QTY
I	LEFT SIDE WRAPPING	01
J	FRONT WRAPPING	01
K	RIGHT SIDE WRAPPING	01
L	BACK	02
M	DOOR	02
N	DRAWER FACE	02