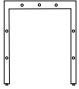

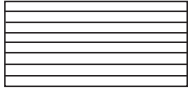
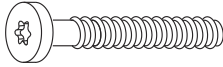
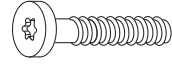
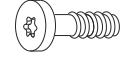



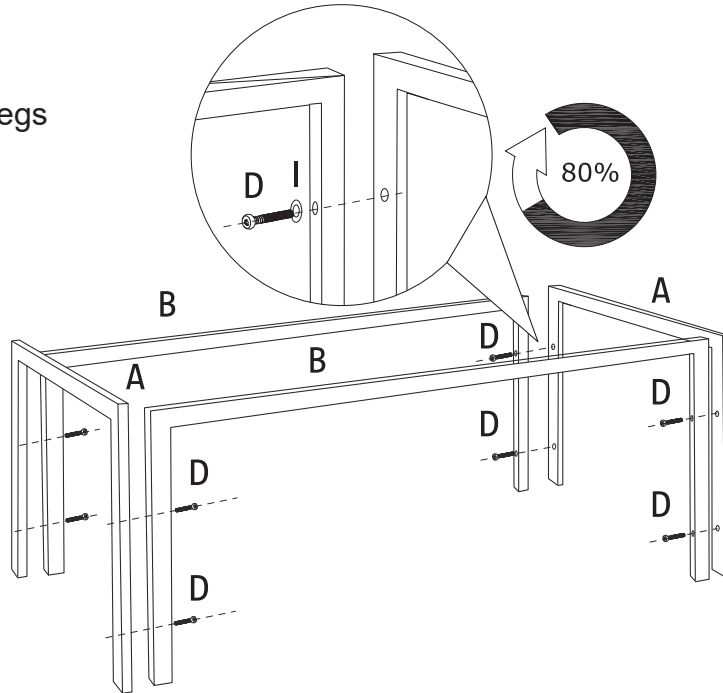


A		2
B		2
C		1

D	 M6*50	8
E	 M6*28	6
F	 M6*20	8
G		1
H		8
I		22

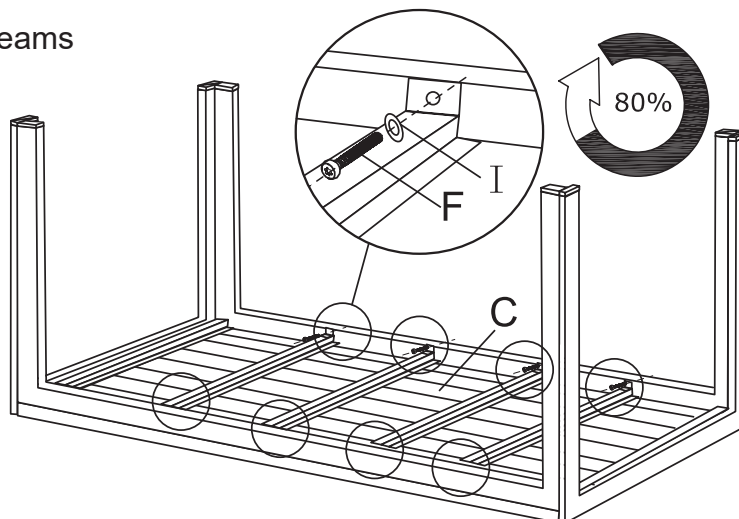
1

Screw table legs



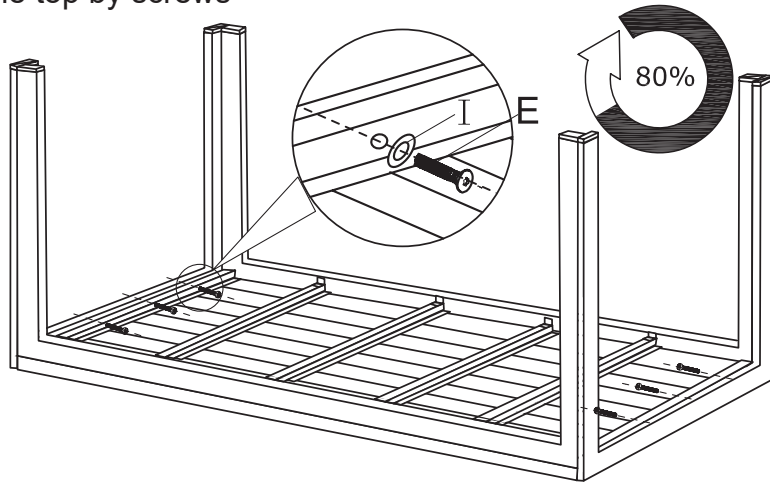
2

Screw table beams



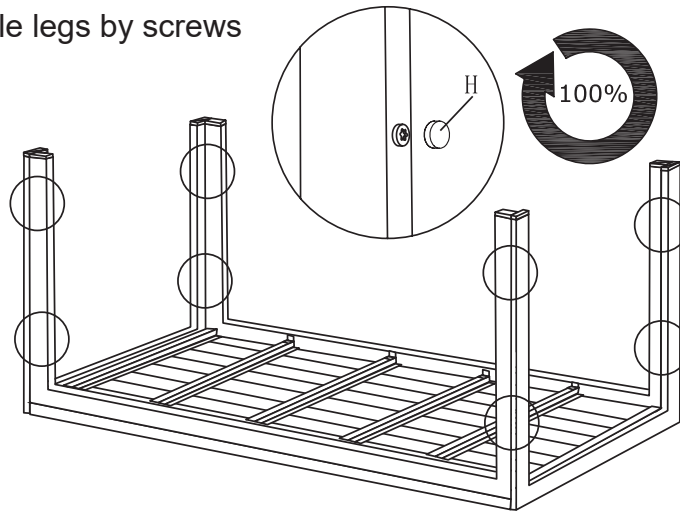
3

Fix the table top by screws



4

Fix the table legs by screws



5

Install leveling feet

