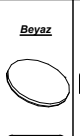
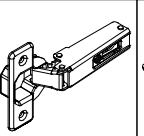
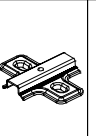

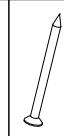
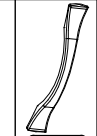

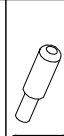
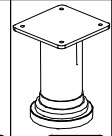
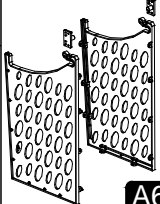
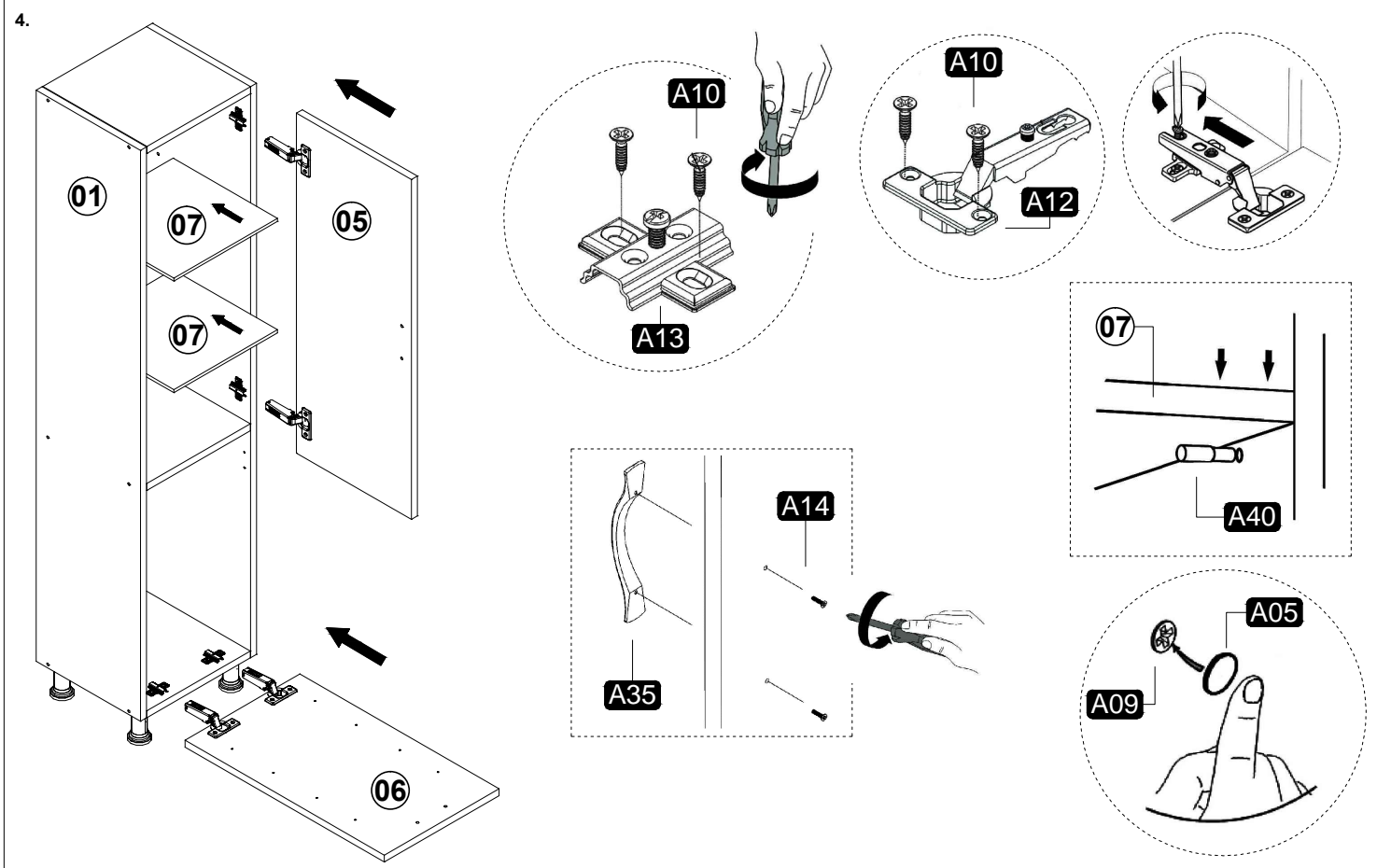
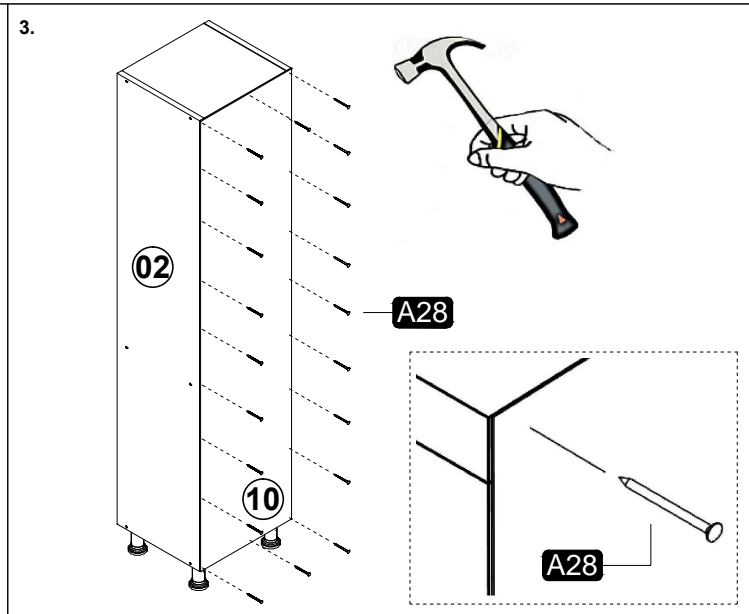
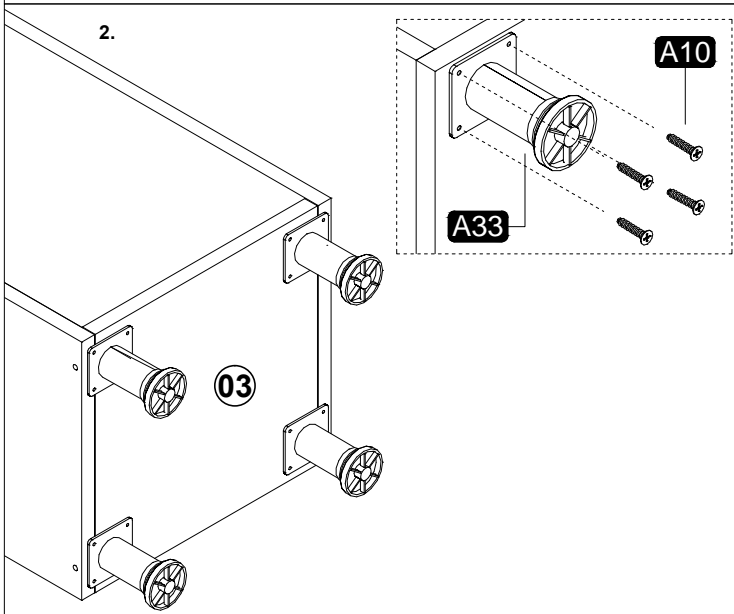
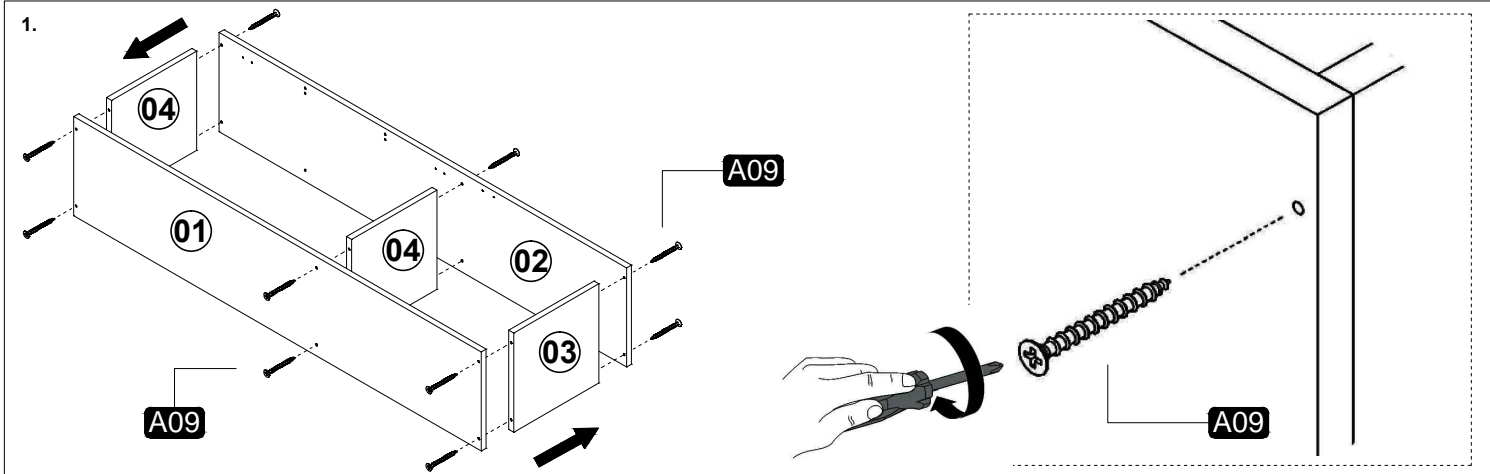
 <b>A09</b>	 <b>A05</b>	 <b>A12</b>	 <b>A13</b>	 <b>A10</b>	 <b>A28</b>	 <b>A35</b>	 <b>A14</b>	 <b>A40</b>	 <b>A33</b>	 <b>A61</b>	<table border="1"> <thead> <tr> <th>NO</th> <th>BOY</th> <th>EN</th> <th>KLN</th> <th>AD.</th> </tr> </thead> <tbody> <tr> <td>01</td> <td>1490</td> <td>314</td> <td>18</td> <td>1</td> </tr> <tr> <td>02</td> <td>1490</td> <td>314</td> <td>18</td> <td>1</td> </tr> <tr> <td>03</td> <td>314</td> <td>314</td> <td>18</td> <td>1</td> </tr> <tr> <td>04</td> <td>314</td> <td>314</td> <td>18</td> <td>2</td> </tr> <tr> <td>05</td> <td>895</td> <td>347</td> <td>18</td> <td>1</td> </tr> <tr> <td>06</td> <td>600</td> <td>347</td> <td>18</td> <td>1</td> </tr> <tr> <td>07</td> <td>314</td> <td>314</td> <td>8</td> <td>2</td> </tr> <tr> <td>08</td> <td>400</td> <td>270</td> <td>8</td> <td>1</td> </tr> <tr> <td>09</td> <td>270</td> <td>260</td> <td>8</td> <td>1</td> </tr> <tr> <td>10</td> <td>1488</td> <td>348</td> <td>3</td> <td>1</td> </tr> </tbody> </table>	NO	BOY	EN	KLN	AD.	01	1490	314	18	1	02	1490	314	18	1	03	314	314	18	1	04	314	314	18	2	05	895	347	18	1	06	600	347	18	1	07	314	314	8	2	08	400	270	8	1	09	270	260	8	1	10	1488	348	3	1
NO	BOY	EN	KLN	AD.																																																														
01	1490	314	18	1																																																														
02	1490	314	18	1																																																														
03	314	314	18	1																																																														
04	314	314	18	2																																																														
05	895	347	18	1																																																														
06	600	347	18	1																																																														
07	314	314	8	2																																																														
08	400	270	8	1																																																														
09	270	260	8	1																																																														
10	1488	348	3	1																																																														
12 x	12 x	4 x	4 x	50 x	20 x	2 x	4 x	8 x	4 x	1 x																																																								



5.

