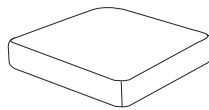
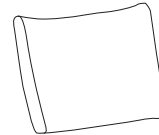


Ax1



Bx1



Cx1



Dx2



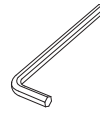
Ex2



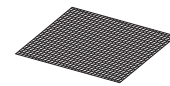
Fx2



Gx2



Hx1

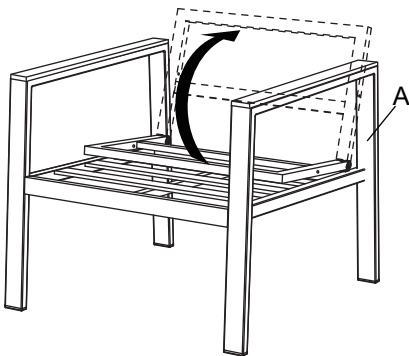


Non-slip mesh

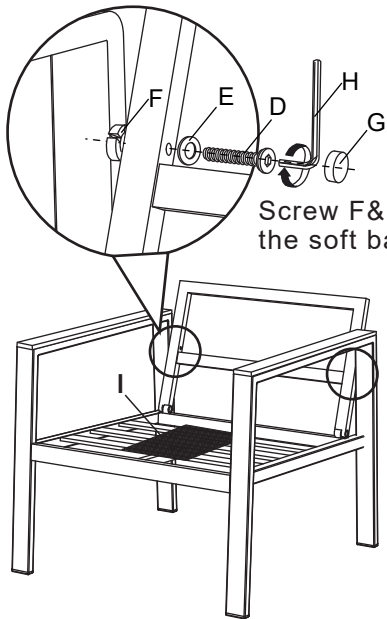
I x1

1

Lift the sofa back



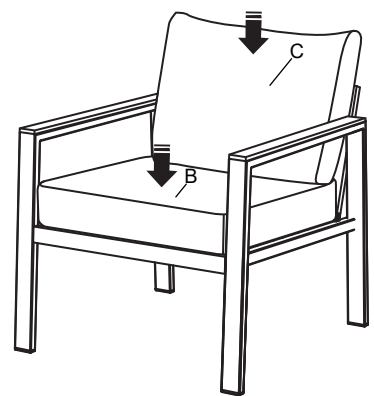
2

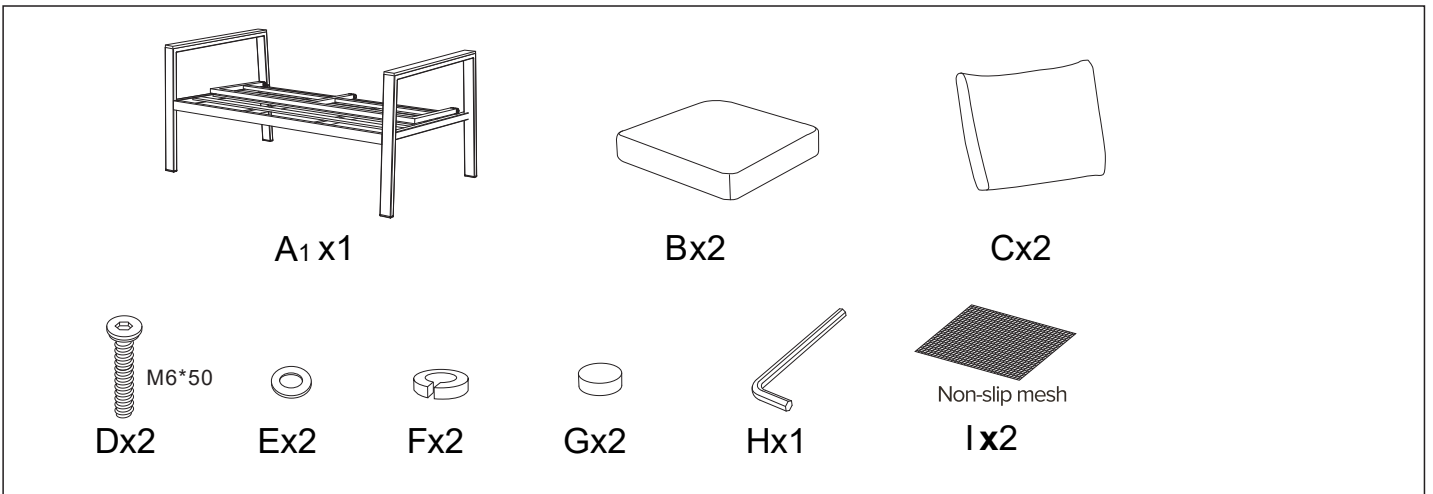
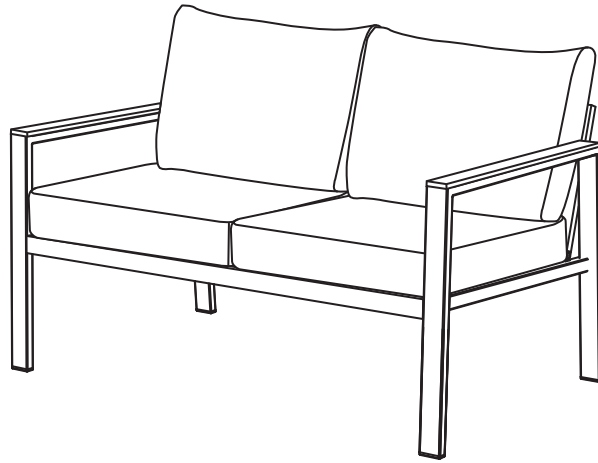


Screw F&E&D into the soft back

3

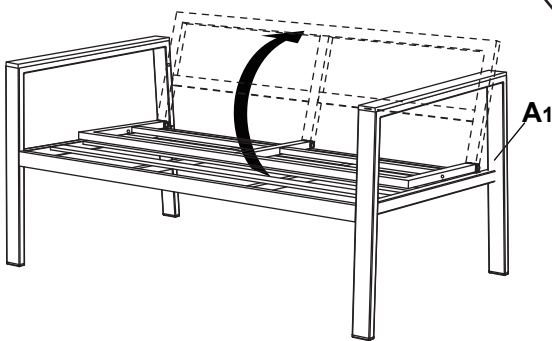
Put cushions





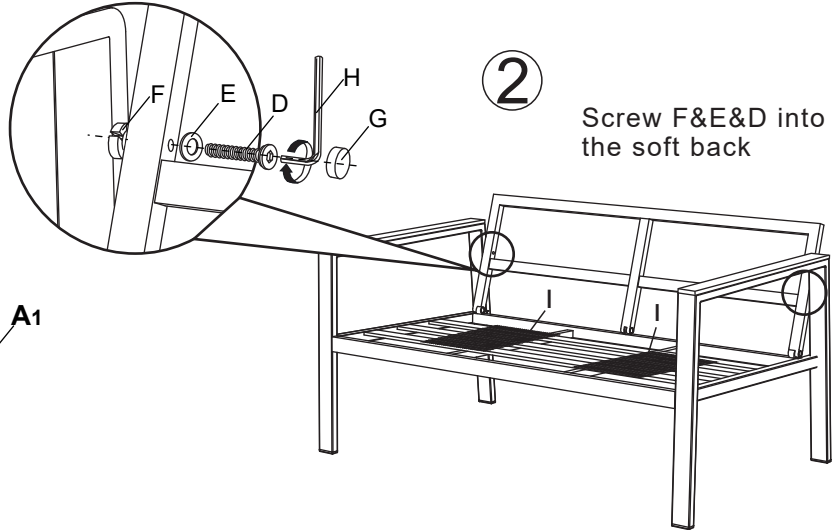
1

Lift the sofa back



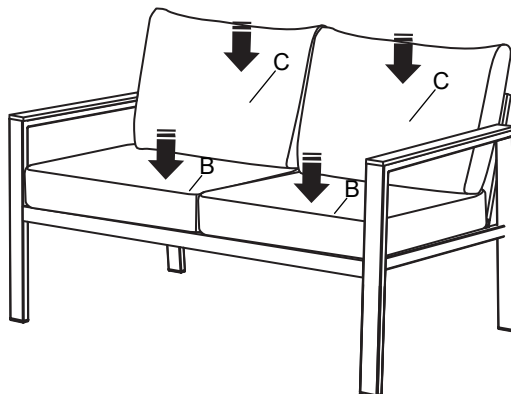
2

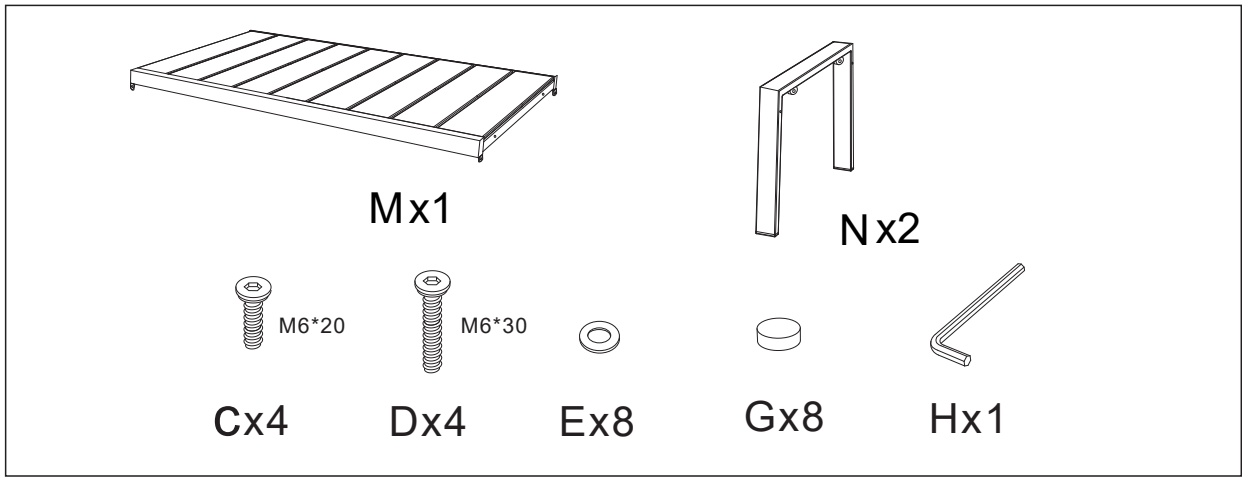
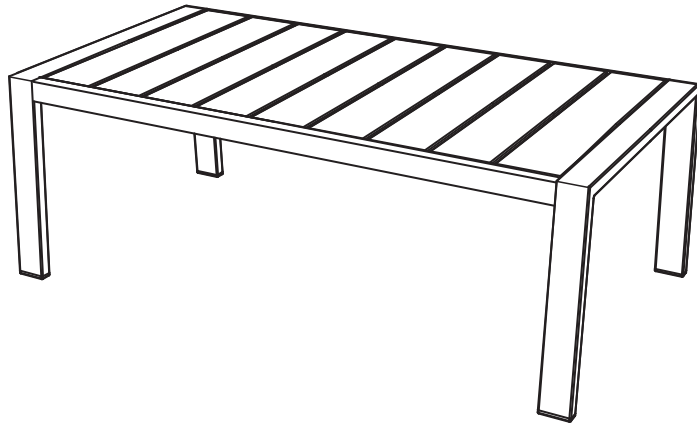
Screw F&E&D into the soft back



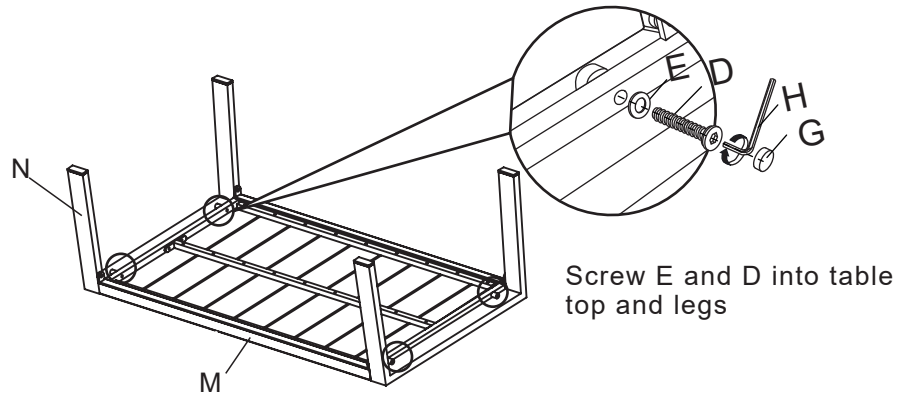
3

Put cushions





1



2

