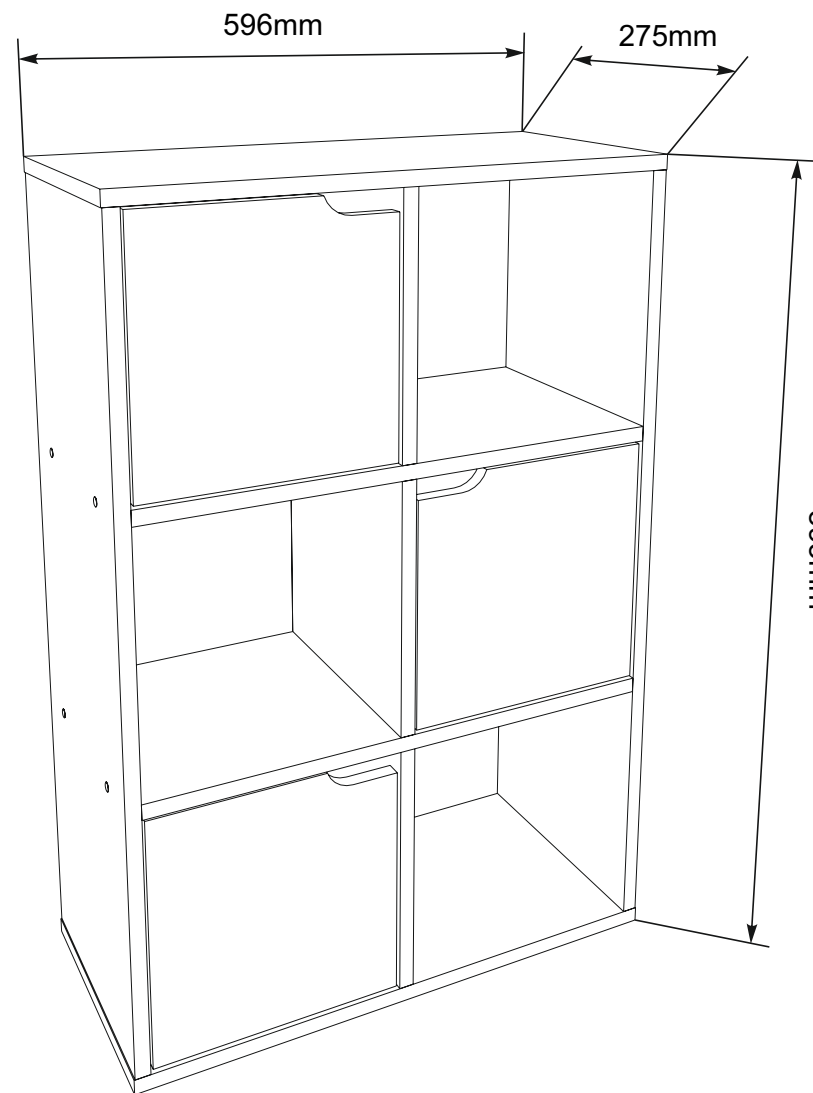
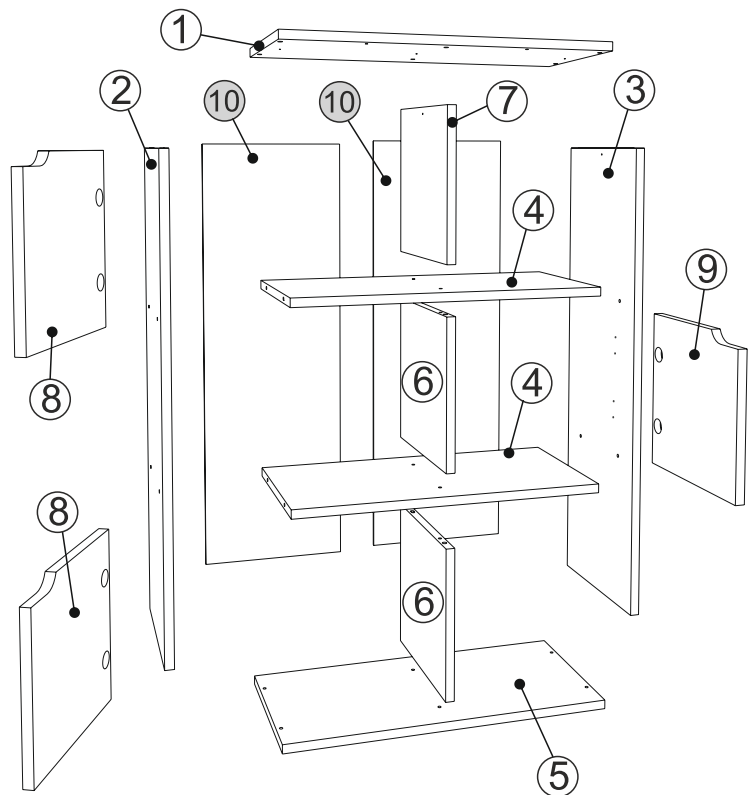
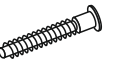
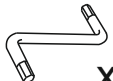

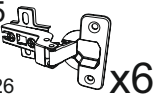
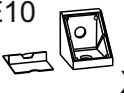

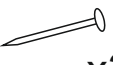
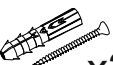
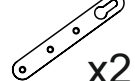


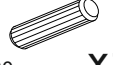


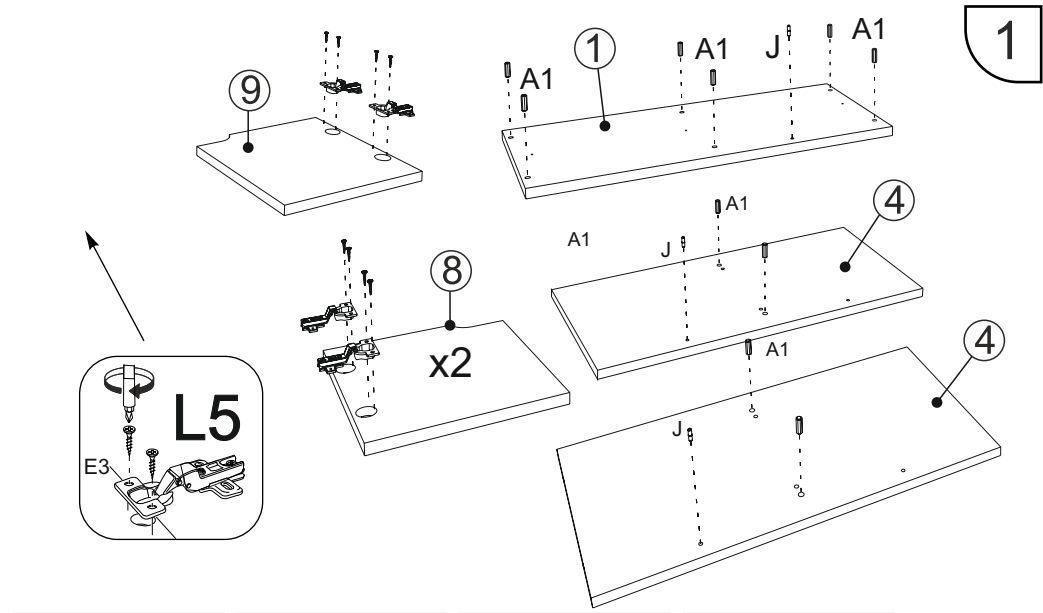
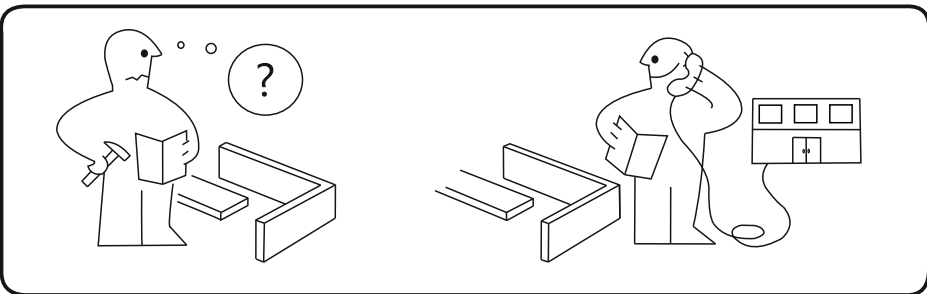
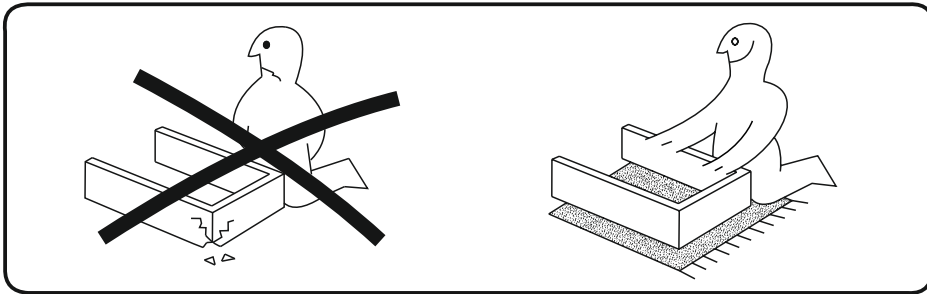
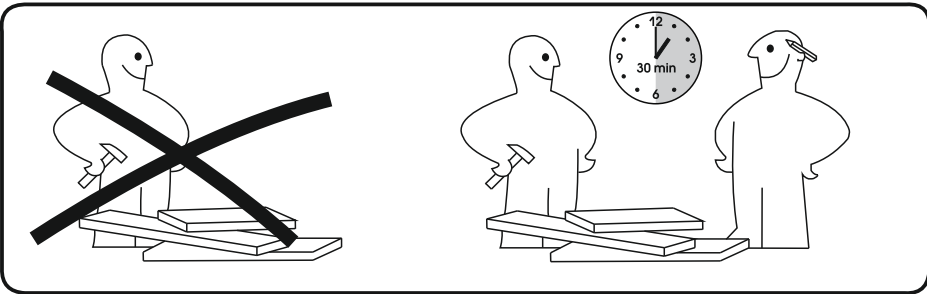
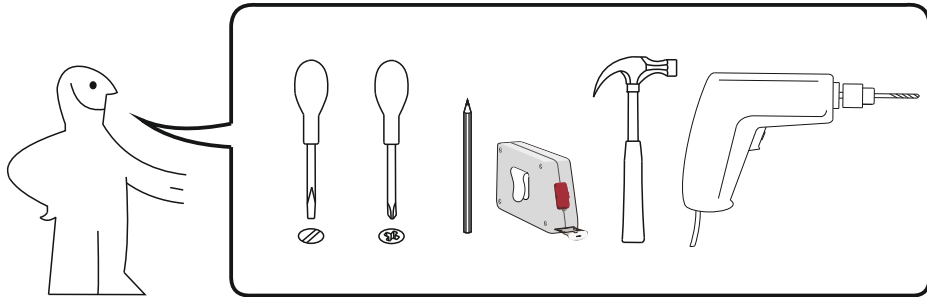


184-000102

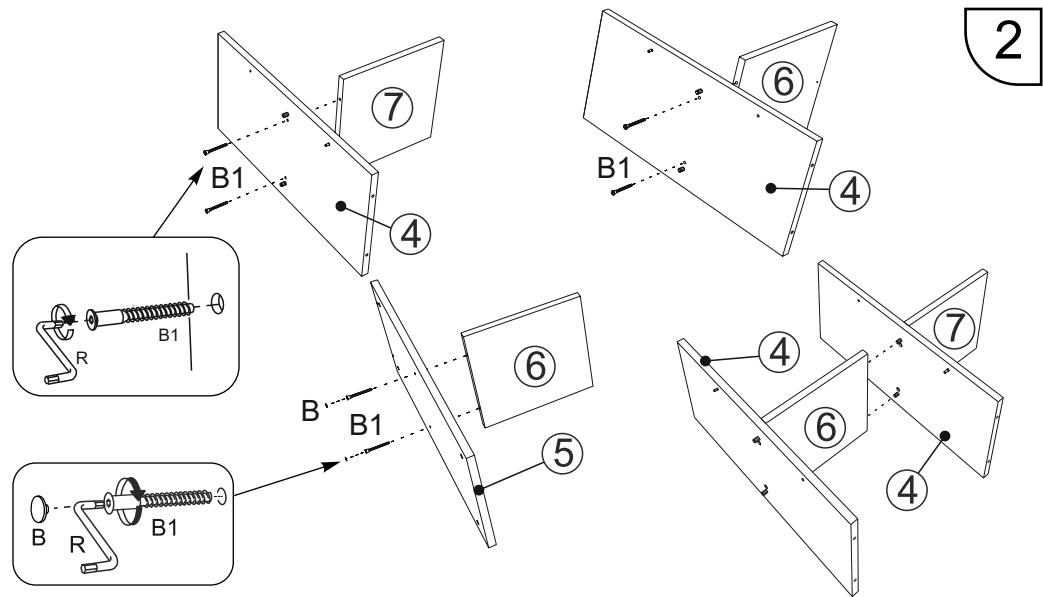


B1  ∅ 6,4x50mm x18	R  x1	B  x14
L5  x6 ∅ 26	E10  x3	E1  x9 ∅ 3,5x25mm
Q  x30	E8  x2	S3  x2
K1  x4	J  x3	A1  x10 ∅ 8x30
S5  x3	E3  x30 ∅ 3.5x16 mm	

No	a x b	x
1	596X275	1
2	851X275	1
3	851X275	1
4	562X275	2
5	596X275	1
6	275X273	2
7	275X273	1
8	267X267	2
9	267X267	1
10	879X290	2



- A1 $\varnothing 8 \times 30$ x10
- J x3
- L5 $\varnothing 26$ x5
- E3 $\varnothing 3.5 \times 16 \text{ mm}$ x10



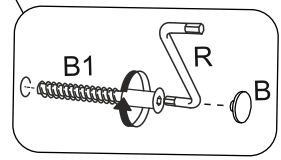
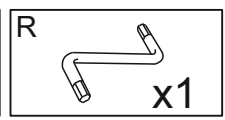
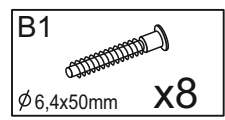
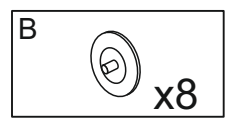
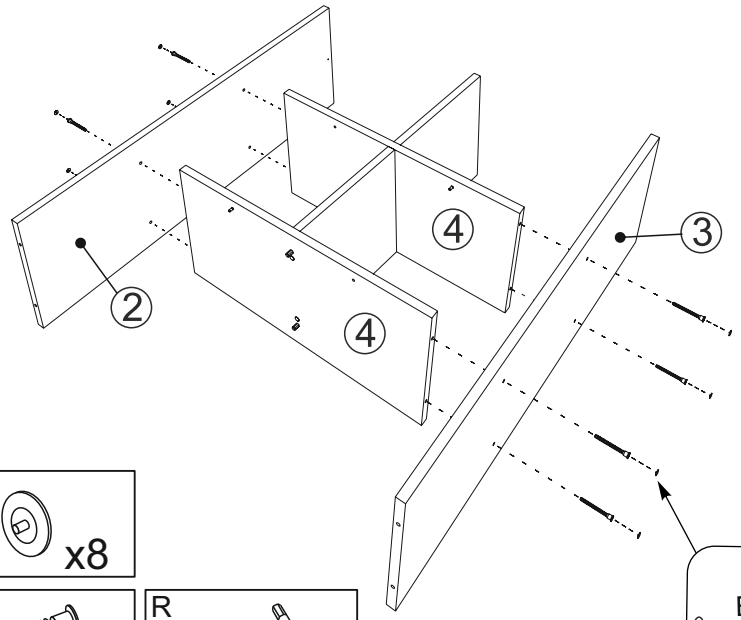
- B1 $\varnothing 6,4 \times 50 \text{ mm}$ x6
- R x1
- B x2

1

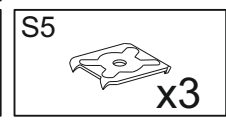
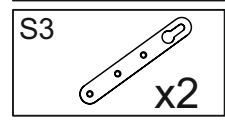
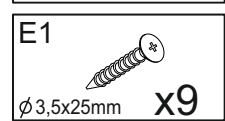
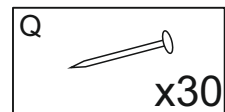
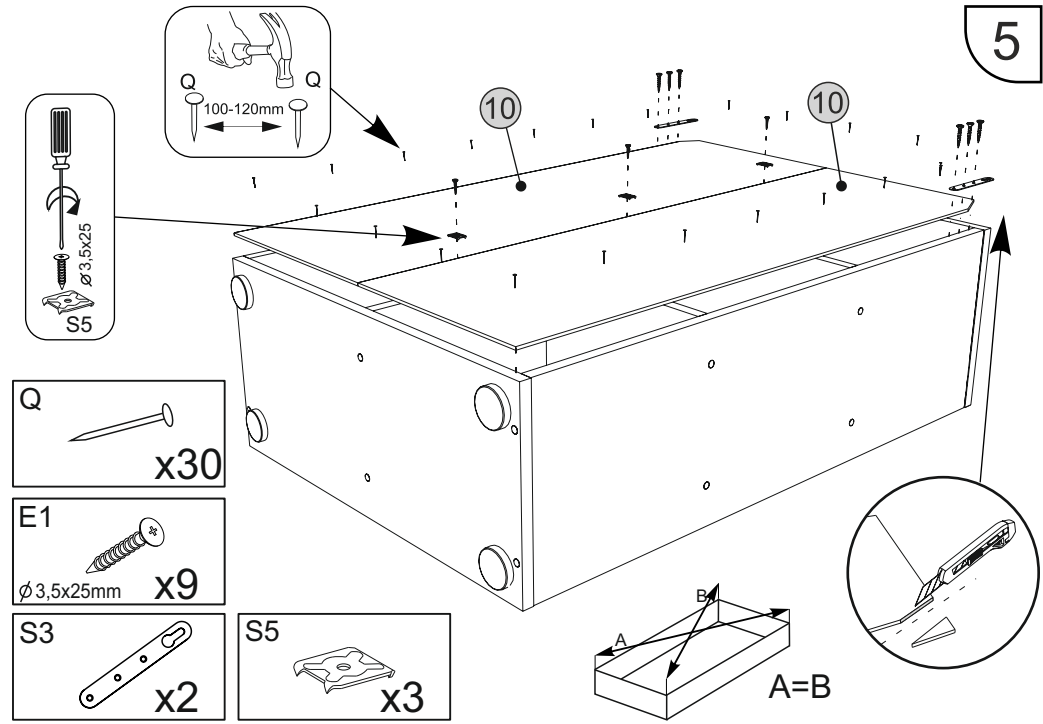
2

2

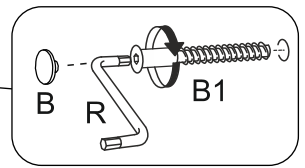
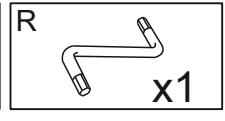
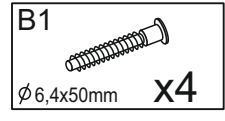
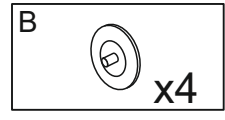
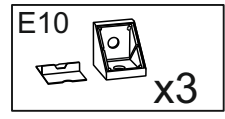
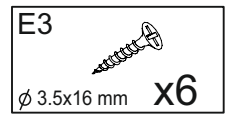
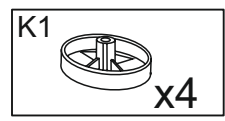
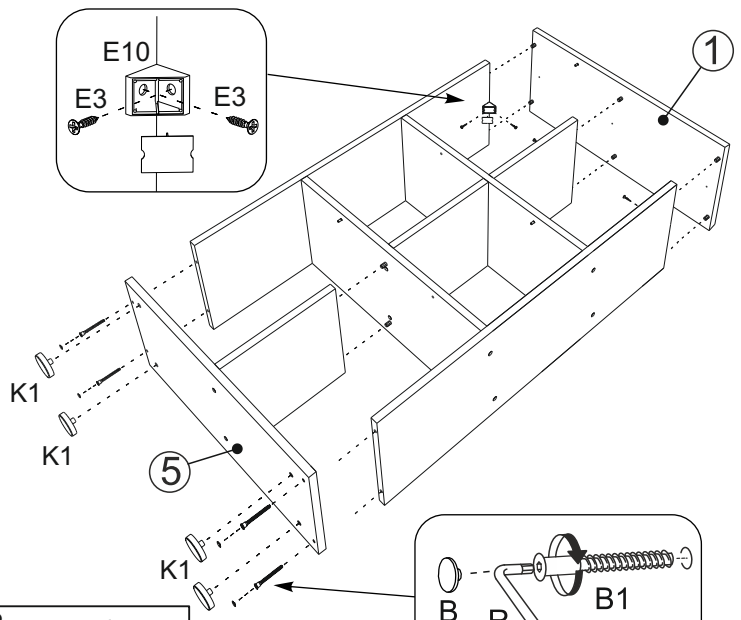
3



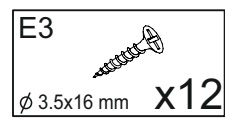
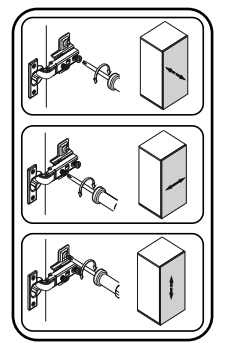
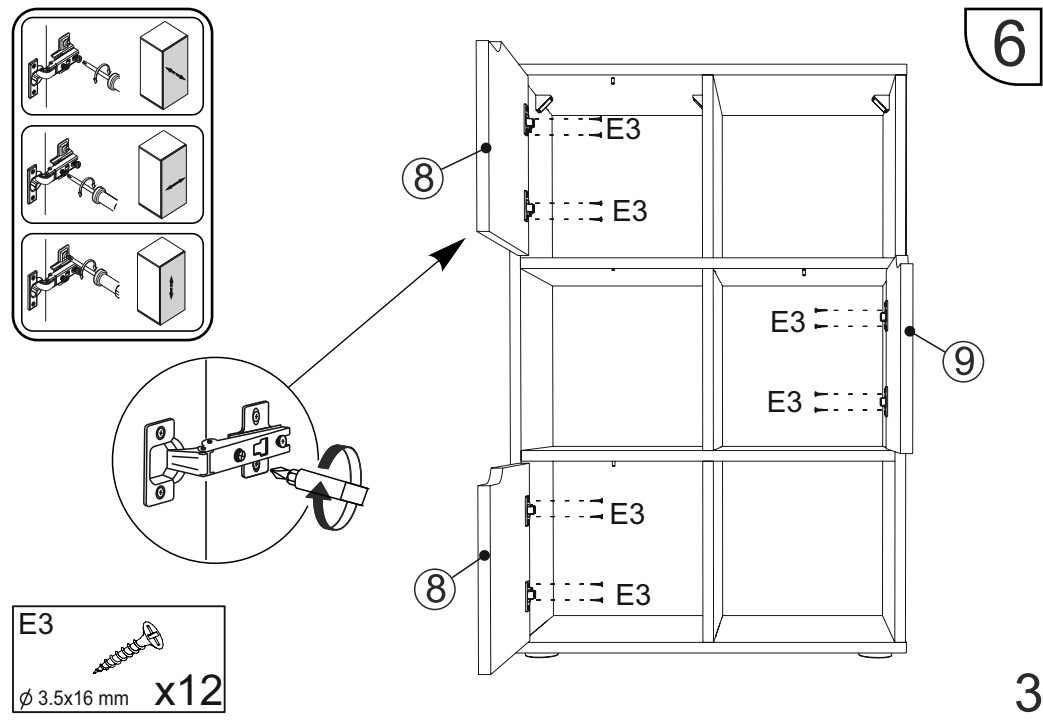
5



4



6



3

