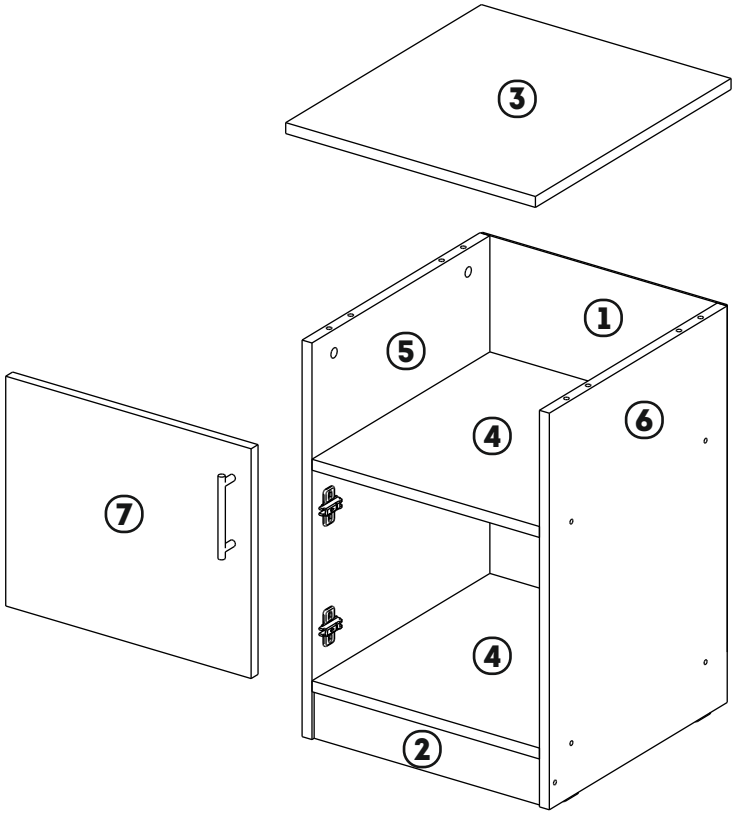
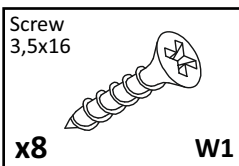
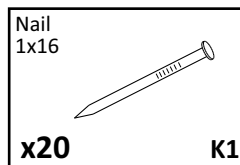
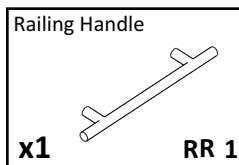
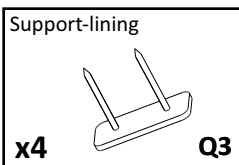
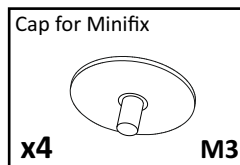
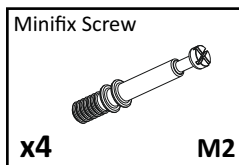
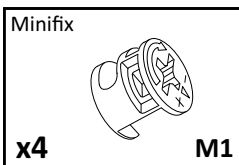
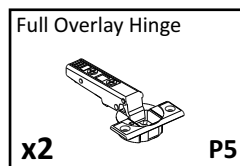
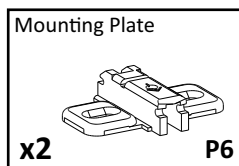
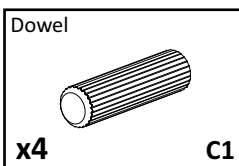
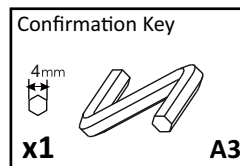
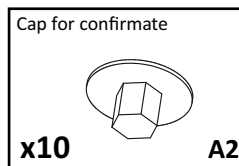
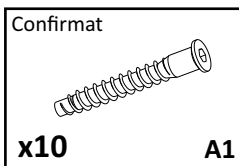
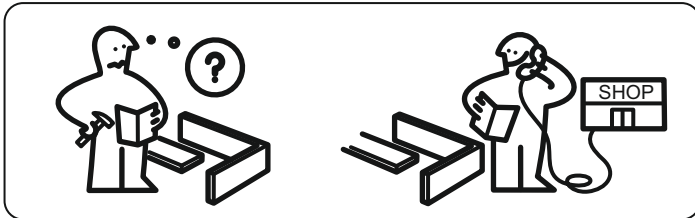
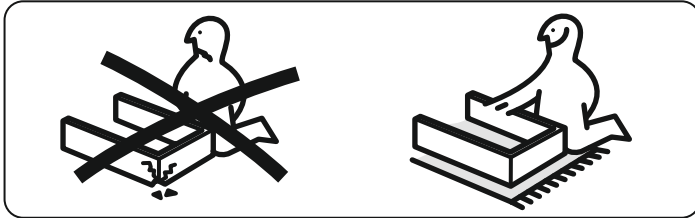
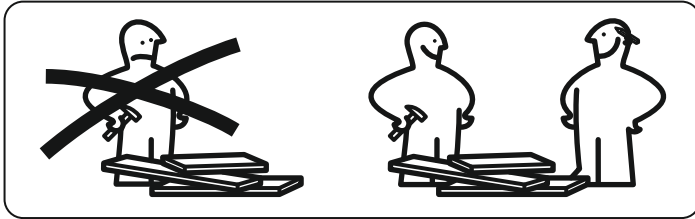


361-000034



No	a*b	X	Pack
1	508x396	1	1/1
2	368x70	1	1/1
3	404x452	1	1/1
4	368x411	2	1/1
5	580x411	1	1/1
6	580x411	1	1/1
7	336x397	1	1/1





## GENERAL TECHNICAL INSTRUCTIONS FOR FURNITURE ASSEMBLY

- CHECK COMPATIBILITY OF PARTS AND ACCESSORIES BEFORE ASSEMBLY.
- FOR FURNITURE ASSEMBLY, WE RECOMMEND USING THE SERVICES OF QUALIFIED SPECIALISTS.
- DO ASSEMBLY ON A SURFACE COVERED WITH CLOTH OR CARDBOARD TO PREVENT SCRATCHES.

## CARE AND MAINTENANCE OF FURNITURE

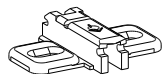
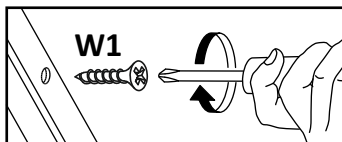
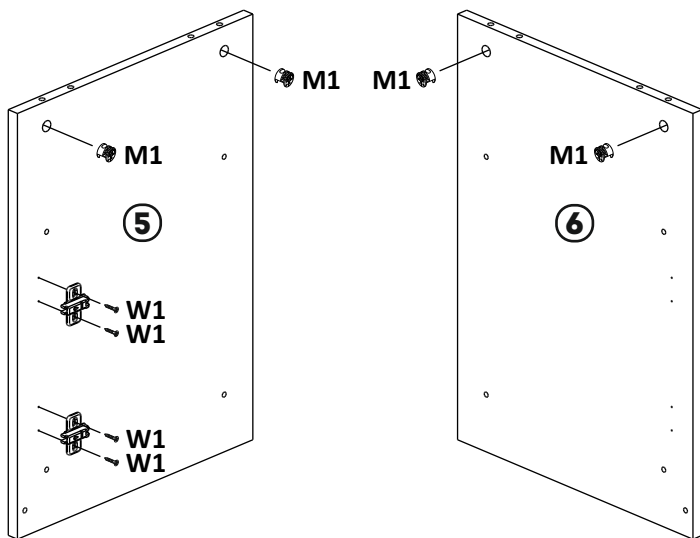
- KEEP THE FURNITURE FROM PROLONGED CONTACT WITH WATER OR HOT STEAM.
- ENSURE SUFFICIENT DISTANCE FROM ELECTRICAL APPLIANCES AND HEATERS.
- IF THERE IS DIRTY ON THE FURNITURE, REMOVE IT WITH A DAMP CLOTH AND THEN WIPE IT DRY. DO NOT USE ABRASIVE MATERIALS.

**1**

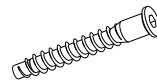
Minifix

**x4****M1**

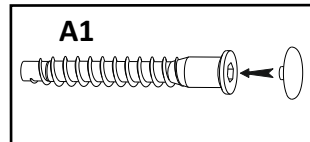
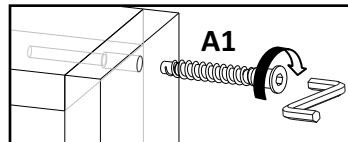
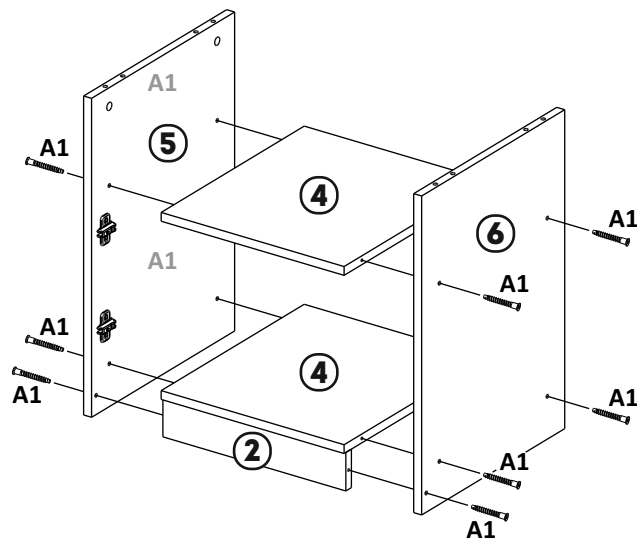
Mounting Plate

**x2****P6****2**

Confirmat

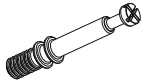
**x10****A1**

Cap for confirmate

**x10****A2**

**3**

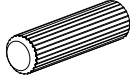
Minifix Screw



x4

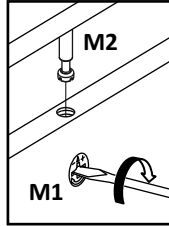
M2

Dowel

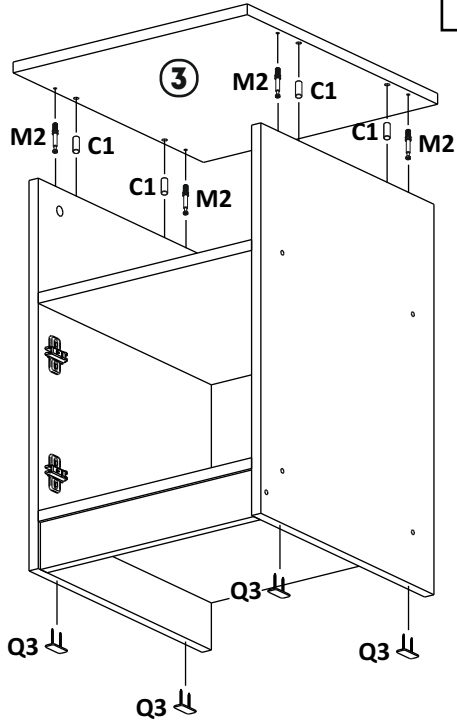


x4

C1

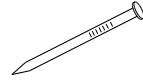


M1



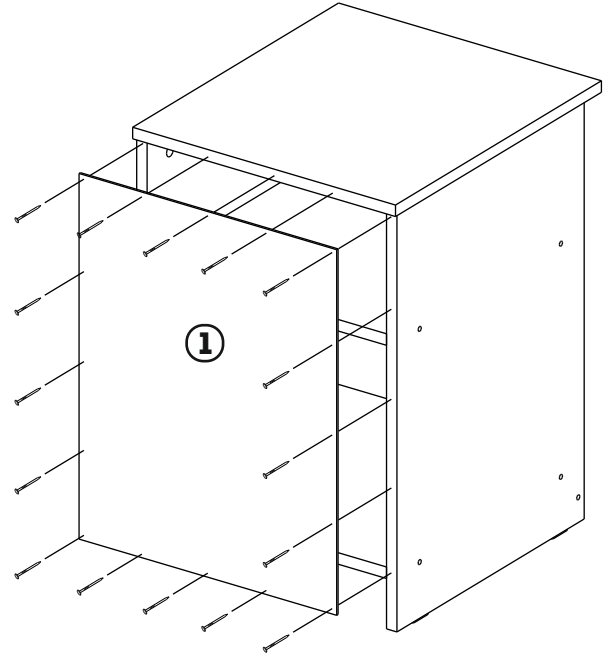
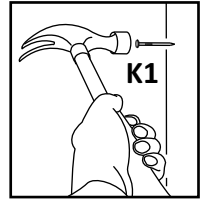
**4**

Nail  
1x16



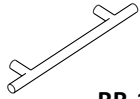
x20

K1

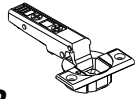
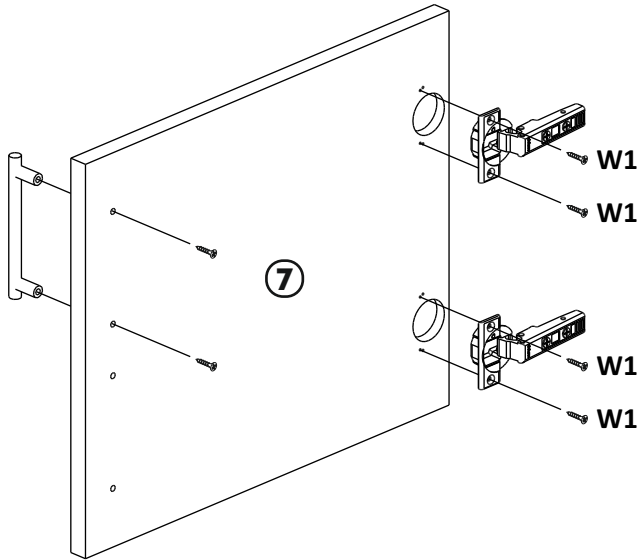
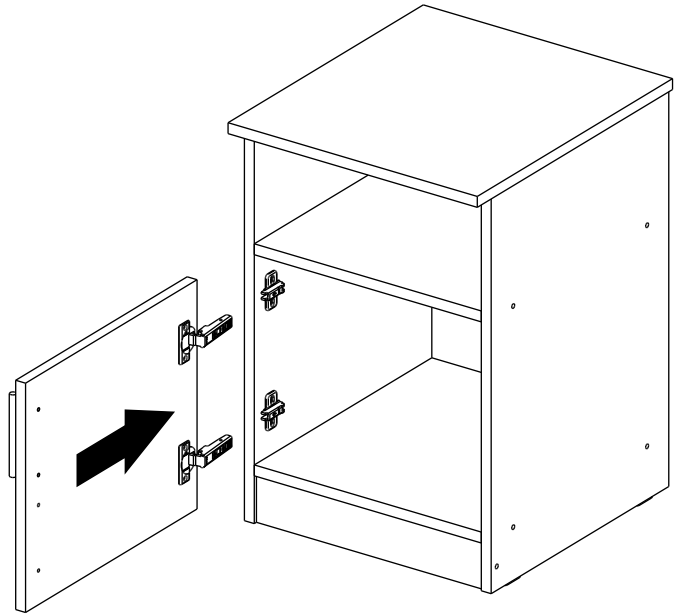


**5**

Railing Handle

**x1****RR 1**

Full Overlay Hinge

**x2****P5****6****7**