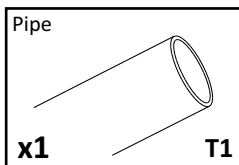
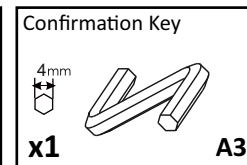
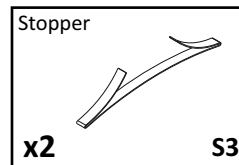
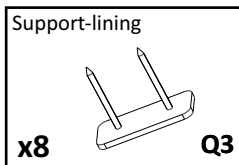
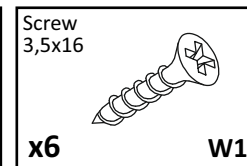
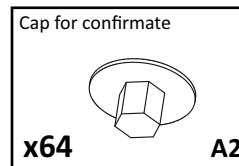
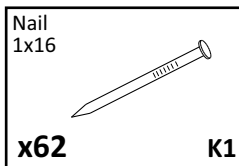
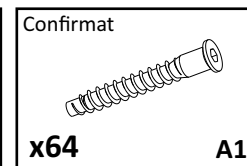
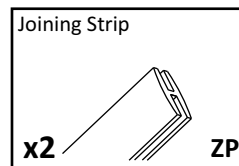
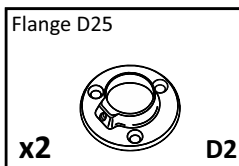
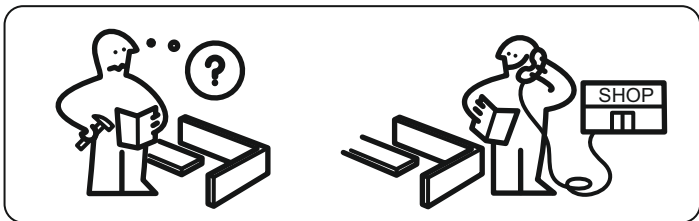
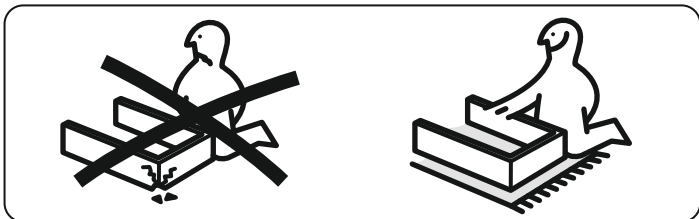
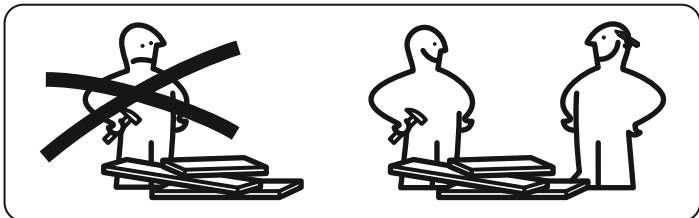


361-000052

No	a*b	X	Pack
1	2096x598	3	1/5
2	836x151	1	2/5
3	450x451	8	3/5
4	1768x600	1	2/5
5	1768x100	1	2/5
6	1801x600	1	2/5
7	2184x600	2	1/5
8	570x100	2	2/5
9	836x451	1	2/5
10	2068x451	2	3/5

\*Sliding wardrobe doors comes in packs 4/5 and 5/5.





### GENERAL TECHNICAL INSTRUCTIONS FOR FURNITURE ASSEMBLY

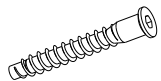
- CHECK COMPATIBILITY OF PARTS AND ACCESSORIES BEFORE ASSEMBLY.
- FOR FURNITURE ASSEMBLY, WE RECOMMEND USING THE SERVICES OF QUALIFIED SPECIALISTS.
- DO ASSEMBLY ON A SURFACE COVERED WITH CLOTH OR CARDBOARD TO PREVENT SCRATCHES.

### CARE AND MAINTENANCE OF FURNITURE

- KEEP THE FURNITURE FROM PROLONGED CONTACT WITH WATER OR HOT STEAM.
- ENSURE SUFFICIENT DISTANCE FROM ELECTRICAL APPLIANCES AND HEATERS.
- IF THERE IS DIRTY ON THE FURNITURE, REMOVE IT WITH A DAMP CLOTH AND THEN WIPE IT DRY. DO NOT USE ABRASIVE MATERIALS.

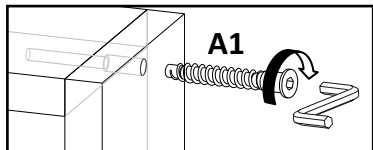
**1**

Confirmat

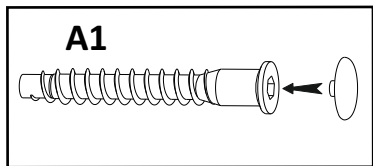


x32

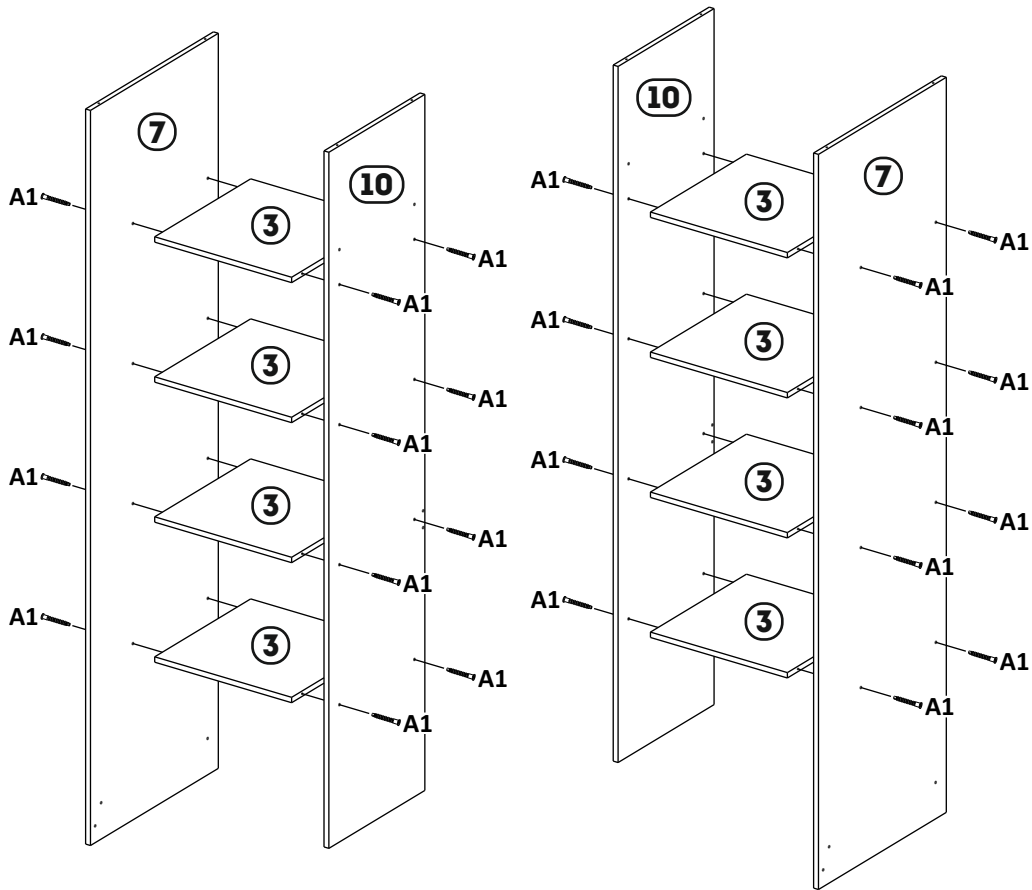
A1



A1

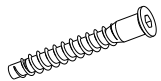
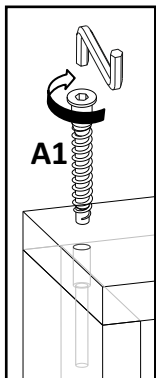
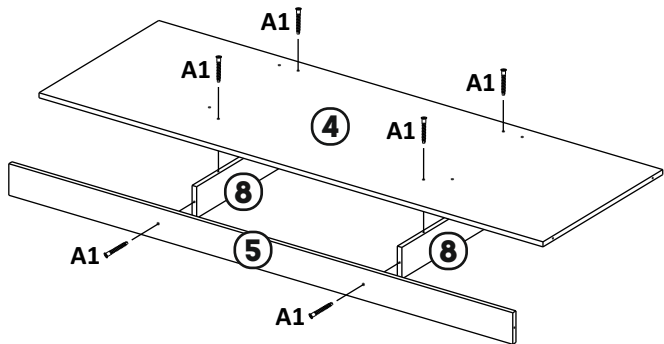
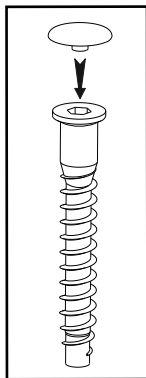


A1

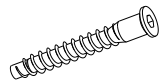
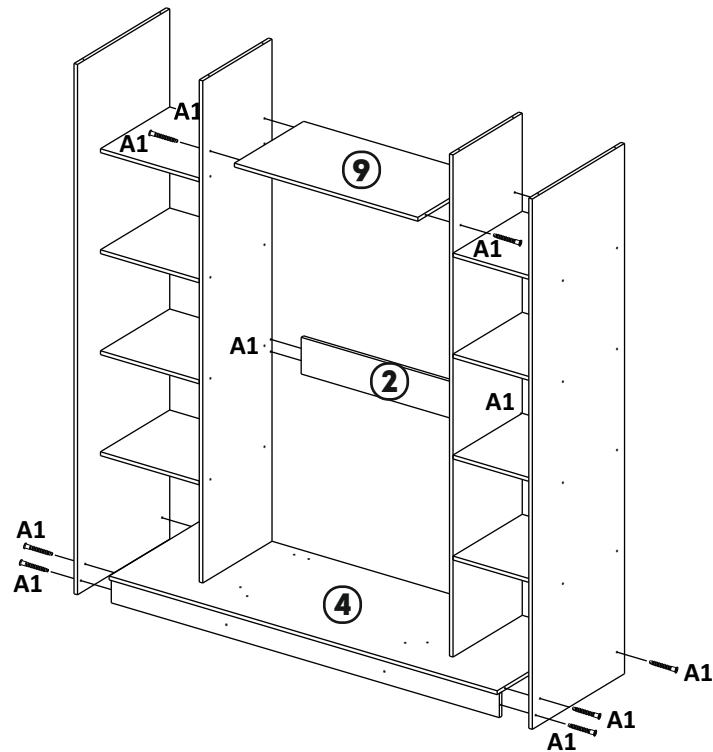


**2**

Confirmat

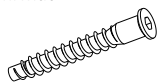
**x6****A1****A1****3**

Confirmat

**x14****A1**

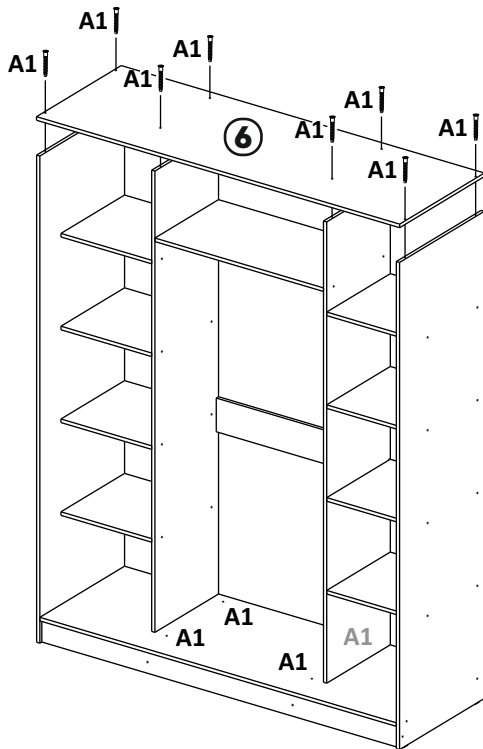
4

Confirmat



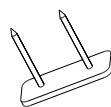
x12

A1



5

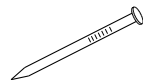
Support-lining



x8

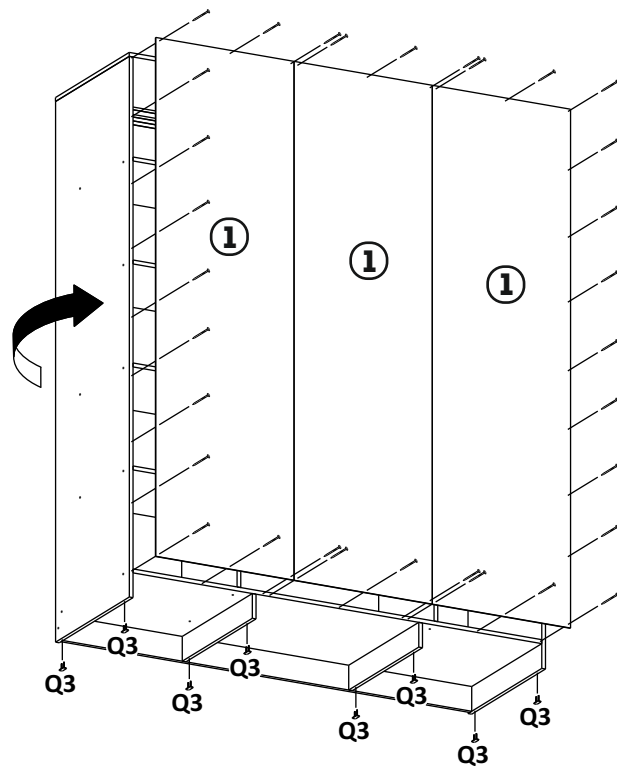
Q3

Nail  
1x16

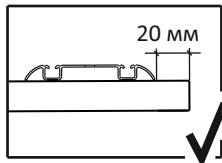
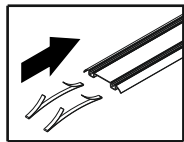
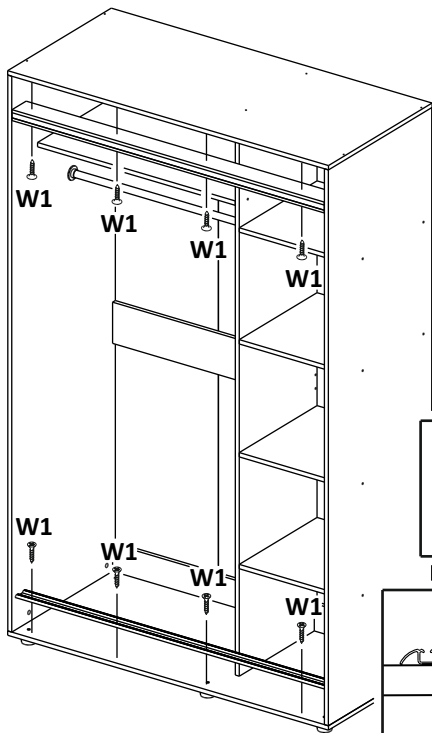
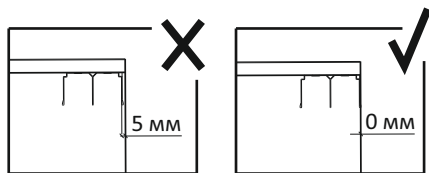


x62

K1



6



7

