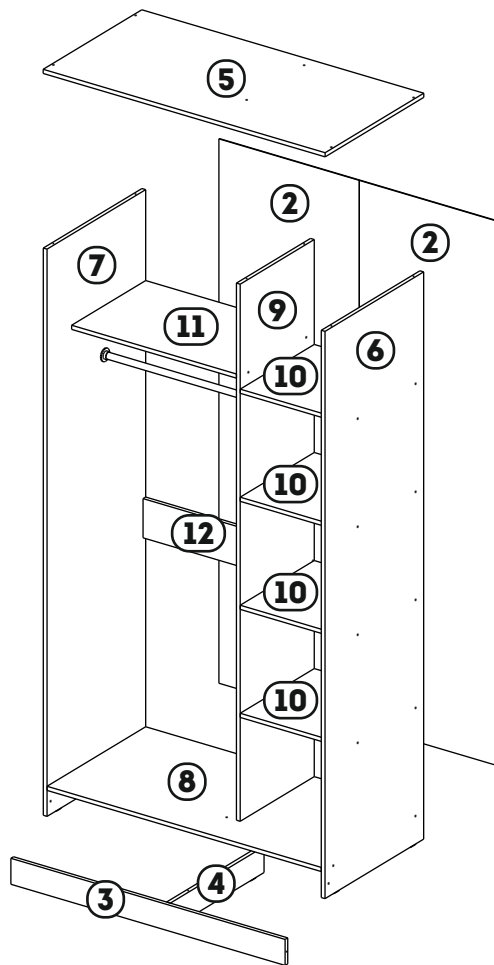
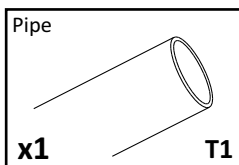
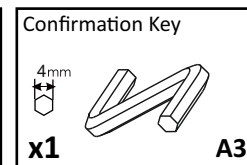
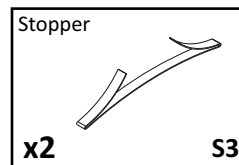
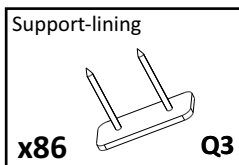
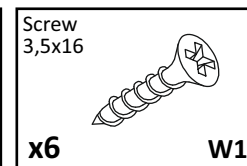
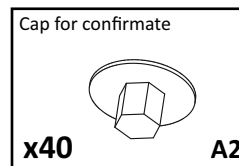
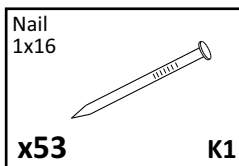
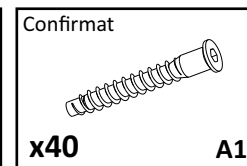
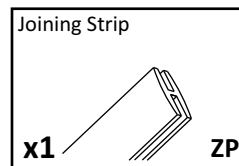
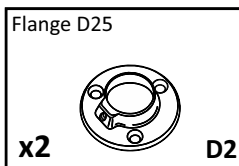


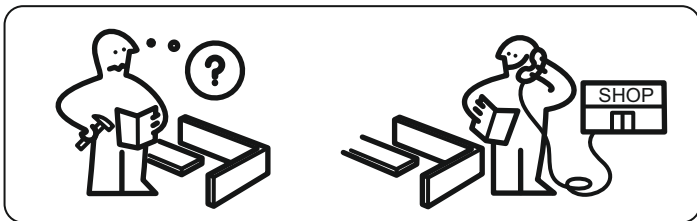
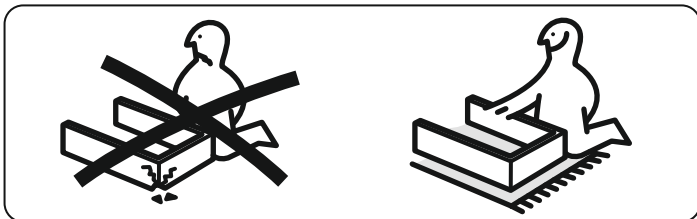
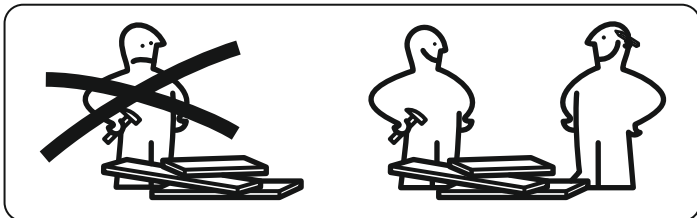
361-000051



No	a*b	X	Pack
2	2096x598	2	1/5
3	1168x100	1	2/5
4	100x570	1	2/5
5	600x1201	1	2/5
6	2184x600	1	1/5
7	2184x600	1	1/5
8	600x1168	1	2/5
9	2068x450	1	3/5
10	450x450	4	3/5
11	702x450	1	2/5
12	151x702	1	2/5

\*Sliding wardrobe doors comes in packs 4/5 and 5/5.





### **GENERAL TECHNICAL INSTRUCTIONS FOR FURNITURE ASSEMBLY**

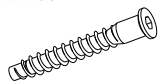
- CHECK COMPATIBILITY OF PARTS AND ACCESSORIES BEFORE ASSEMBLY.
- FOR FURNITURE ASSEMBLY, WE RECOMMEND USING THE SERVICES OF QUALIFIED SPECIALISTS.
- DO ASSEMBLY ON A SURFACE COVERED WITH CLOTH OR CARDBOARD TO PREVENT SCRATCHES.

### **CARE AND MAINTENANCE OF FURNITURE**

- KEEP THE FURNITURE FROM PROLONGED CONTACT WITH WATER OR HOT STEAM.
- ENSURE SUFFICIENT DISTANCE FROM ELECTRICAL APPLIANCES AND HEATERS.
- IF THERE IS DIRTY ON THE FURNITURE, REMOVE IT WITH A DAMP CLOTH AND THEN WIPE IT DRY. DO NOT USE ABRASIVE MATERIALS.

**1**

Confirmat



x12

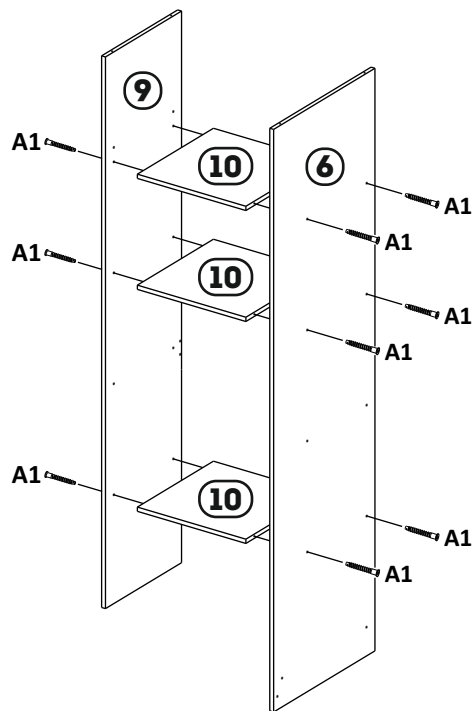
A1

Cap for confirmate

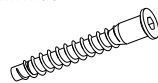


x12

A2

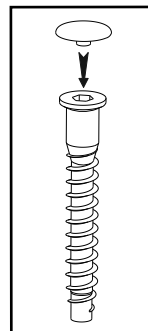
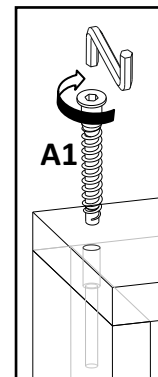
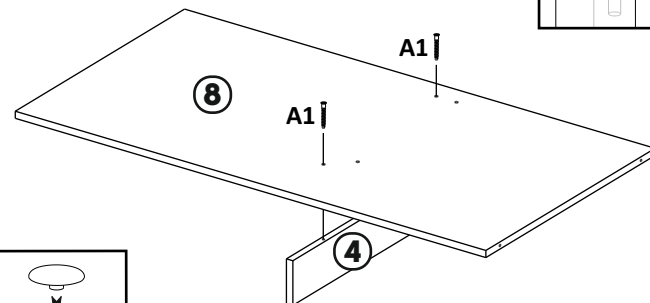
**2**

Confirmat



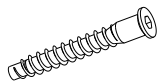
x2

A1



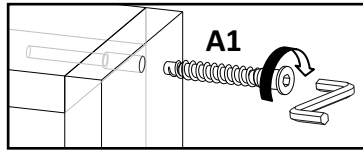
# 3

Confirmat



x16

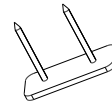
A1



A1

# 4

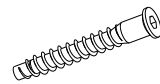
Support-lining



x6

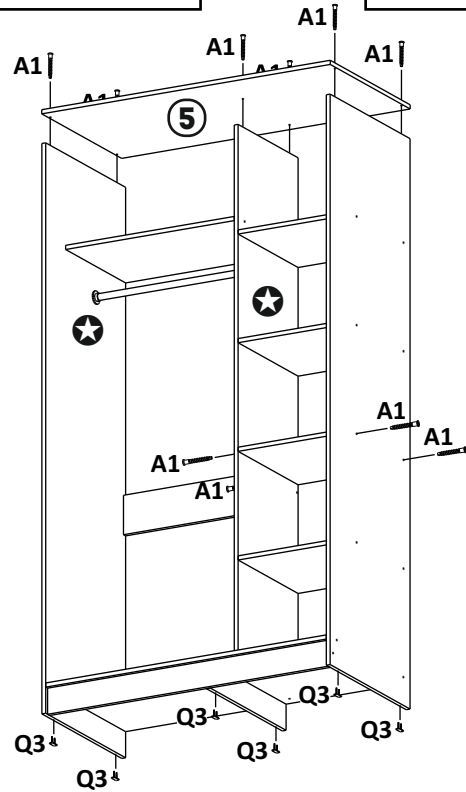
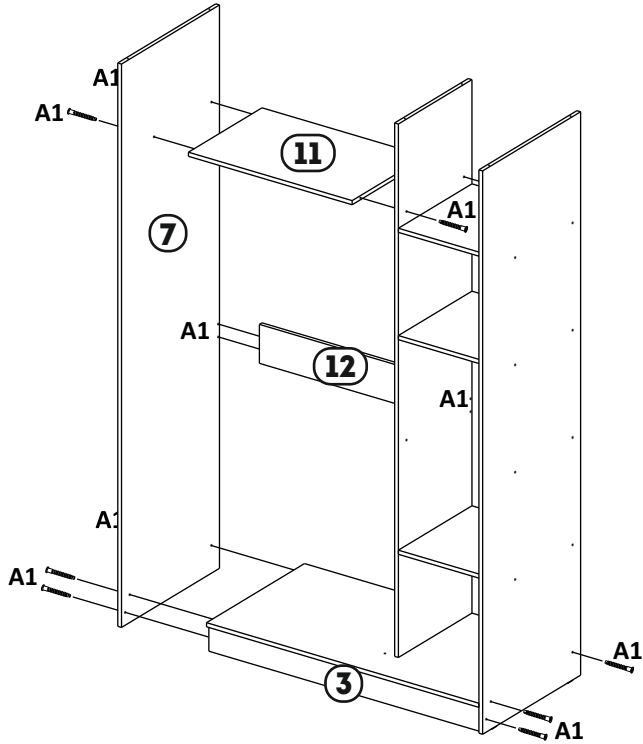
Q3

Confirmat



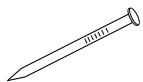
x10

A1



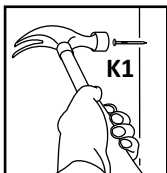
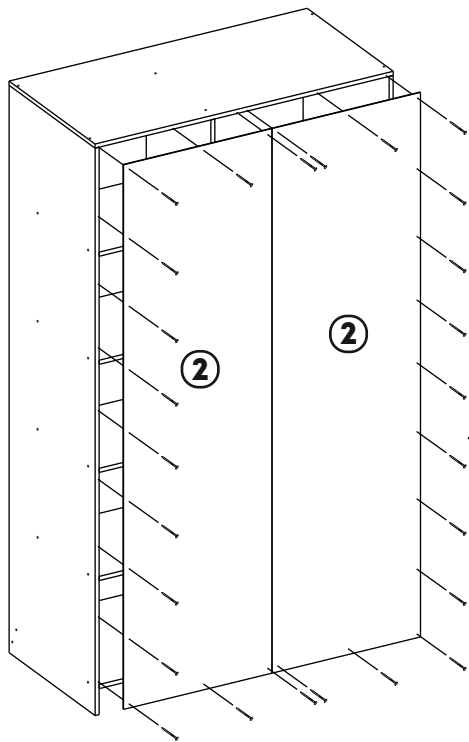
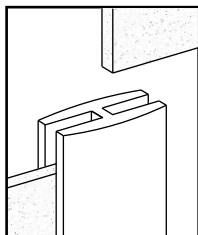
5

Nail  
1x16

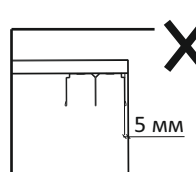


x53

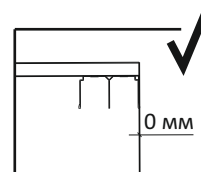
K1



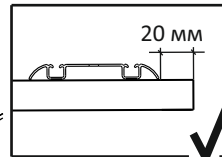
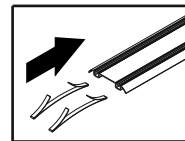
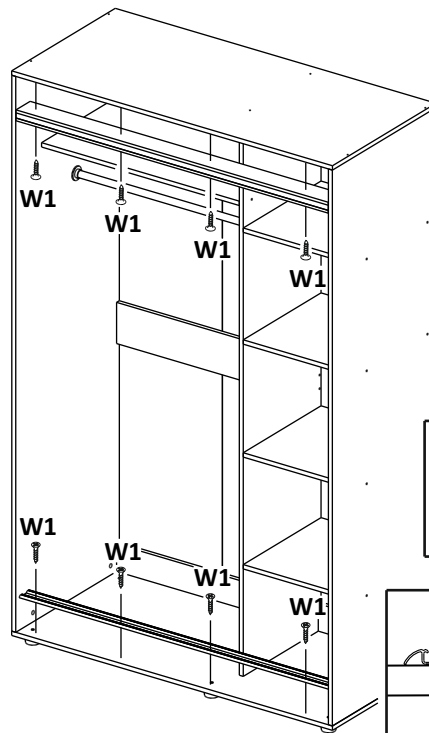
6



5 mm

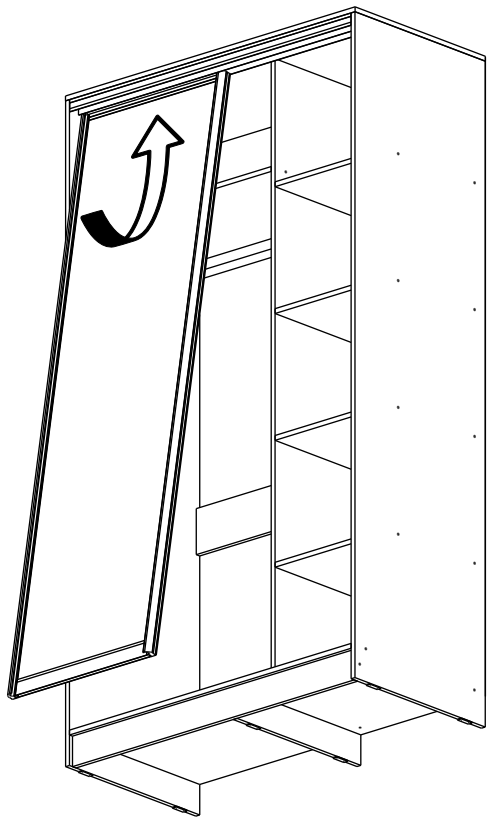


0 mm



20 mm

7



8

