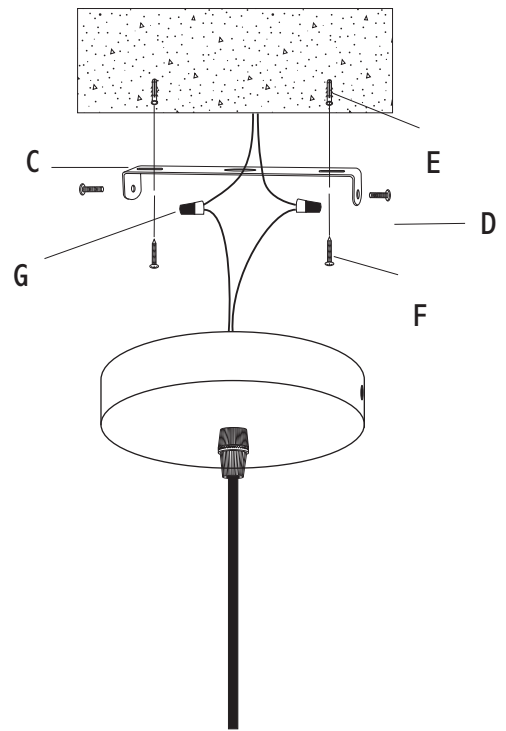


A x1 E x2
 B x1 F x2
 C x1 G x2
 D x2



1. Keep the luminaire away from wet or hot surface.
2. Do not touch the lamp when it is on.
3. In case you need to replace the bulb, please take the plug off and wait for at least 5 minutes for the lamp to cool down.
4. Please make sure your hands are dry before you touch the switch.
5. Do not change any part of the luminaire by yourself.
6. Keep away from children.
7. If the external flexible cable or cord is damaged, it should be exclusively replaced by a qualified technician.