

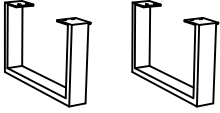
ASSEMBLY INSTRUCTION

372-000008

PARTS

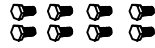


TOP -1



BASE-2

HARDWARE



BOLT -08

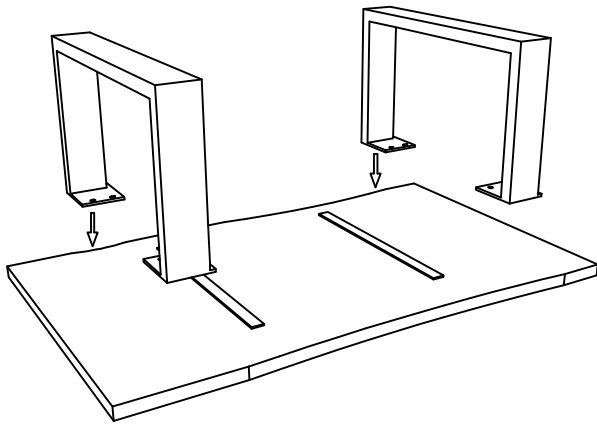


WASHER -08

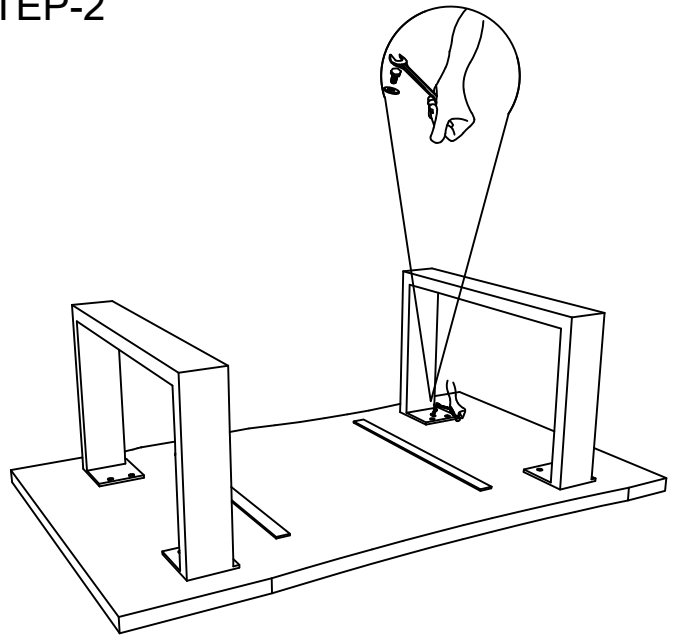


SPANNER -1

STEP-1



STEP-2



STEP-3

